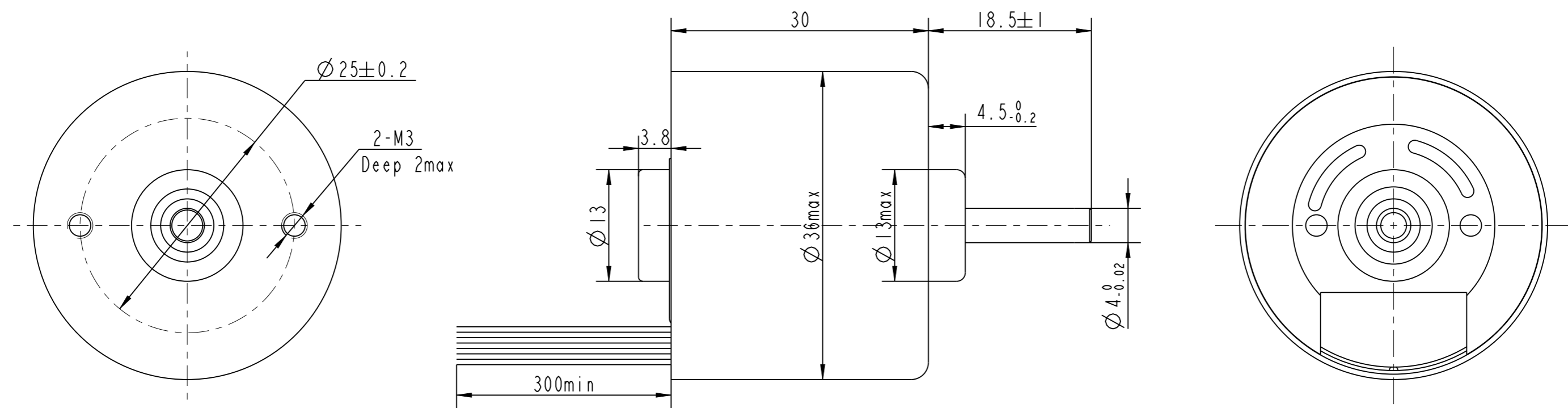


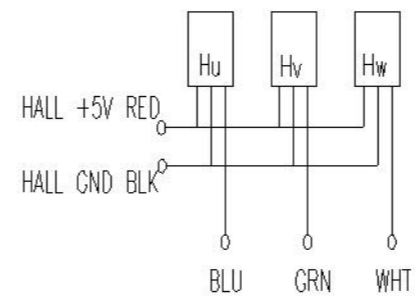
REV	ECN	NO	DESCRIPTION	DRN	APP'D	DATE



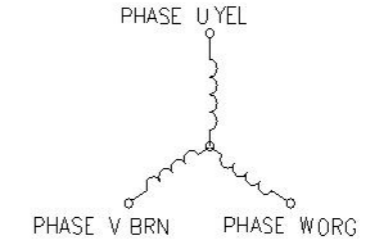
从前出轴看, CW

NUMBER OF PHASE	绕组相数	3	Wires for Phases UL1430 AWG24		
NUMBER OF POLES	极数	8	PHASE U	PHASE V	PHASE W
LINE TO LINE RESISTANCE	线电阻	5.2±10% ohms@20°C	YEL	BRN	ORG
LINE TO LINE INDUCTANCE	线电感	3.3±20% mH@1kHz	Wires for Hall UL1430 AWG26		
NOMINAL VOLTAGE	额定电压	24 VDC	HALL Vc	Hu	Hv
NO LOAD SPEED	空载转速	5900±10% RPM	RED	BLU	GRN
NO LOAD CURRENT	空载电流	0.15 A REF	Hw	WHT	HALL Gnd
RATED TORQUE	额定转矩	15 mN.m	PERMISSIBLE RADIAL+AXIAL FORCE		
RATED SPEED	额定转速	4800 RPM			
RATED CURRENT	额定电流	0.5 A			
PEAK TORQUE	峰值转矩	45 mN.m			
PEAK CURRENT	峰值电流	1.3 A			
BACK EMF CONSTANT	反电势常数	2.7±10% Vrms/kRPM			
TORQUE CONSTANT	转矩常数	36 mN.m/A			
INSULATION CLASS	绝缘等级	B 130°C	AXIAL-FORCE	轴向压力	Fa=10 N Max
DIELECTRIC STRENG	介电强度	600VAC ISEC	DISTANCE	距离	a=10 mm
INSULATION RESIST	绝缘电阻	100MOhm @500VDC	RADIAL-FORCE	径向压力	Fr=28 N Max
ROTOR INERTIA	转子转动惯量	6 g.cm ²	SHAFT RADIAL PLAY	径向间隙	0.02mm Max.@4N
WEIGHT	重量	0.12 Kg	SHAFT AXIAL PLAY	轴向间隙	0.14mm Max.@4N
OPERATION AMBIENT	使用环境	Ambient temperature:-25...+55°C, humidity Max.85%(No condensation)			
STORAGE AMBIENT	存储环境	Ambient temperature:-25...+85°C, humidity Max.85%(No condensation)			

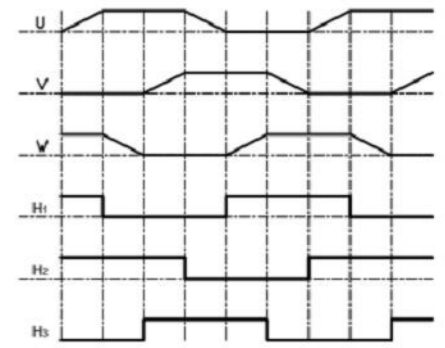
HALL CONNECTING



THREE-PHASE CONNECTING



CW FROM OUTPUT SHAFT



A		DESIGN	DATE	P/N.	3.1.02.036.****
REV	ECN NO.	DESCRIPTION		TITLE	SPECIFICATIONS
UNLESS OTHERWISE SPECIFIED		MATERIAL	CONTR.	CHECK	USED ON
TOLERANCES:				APPD	FL36CBL30-24V-488A-02
DECIMALS:					DWG NO.
.X ±0.5					REV
.XX ±0.25					A
.XXX ±0.1					
UNIT: mm		FIRST ANGLE PROJECTION		SCALE	2:1
DO NOT SCALE DRAWING				SHEET	1 OF 1
					FULLING MOTOR