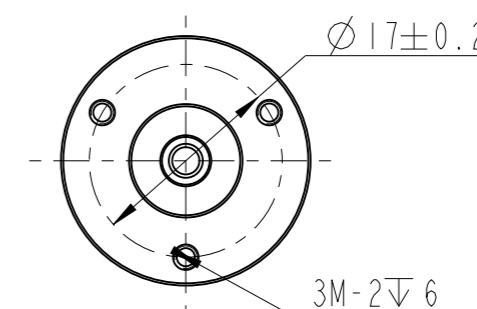
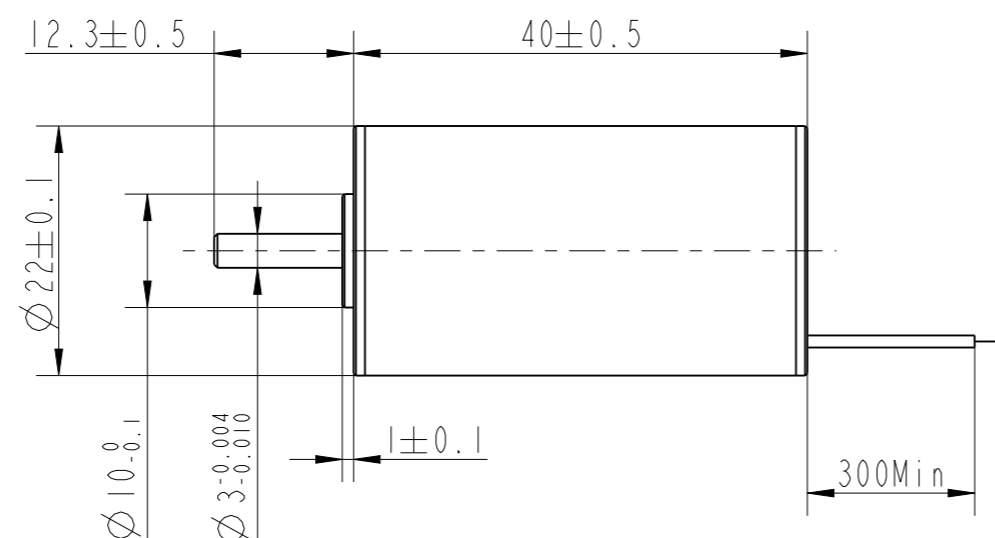


REV	ECN	NO	DESCRIPTION	DRN	APP'D	DATE



NUMBER OF PHASE	绕组相数	3	Wires for Phases UL1430 AWG26		
NUMBER OF POLES	极数	2	PHASE U	PHASE V	PHASE W
LINE TO LINE RESISTANCE	线电阻	2±10% ohms@20°C	YEL	RED	BLK
LINE TO LINE INDUCTANCE	线电感	0.13±20% mH@1kHz			
NOMINAL VOLTAGE	额定电压	24 VDC			
NO LOAD SPEED	空载转速	40000±10% RPM			
NO LOAD CURRENT	空载电流	0.4 A			
RATED TORQUE	额定转矩	6 mN.m	PERMISSIBLE RADIAL+AXIAL FORCE		
RATED SPEED	额定转速	35000 RPM			
RATED CURRENT	额定电流	1.1 A			
PEAK TORQUE	峰值转矩	18 mN.m			
PEAK CURRENT	峰值电流	3.2 A			
BACK EMF CONSTANT	反电势常数	0.42 Vrms/kRPM			
TORQUE CONSTANT	转矩常数	5.67 mN.m/A			
INSULATION CLASS	绝缘等级	B 130°C	AXIAL-FORCE	轴向压力	Fa=10 N Max
DIELECTRIC STRENG	介电强度	600VAC ISEC	DISTANCE	距离	a=10 mm
INSULATION RESIST	绝缘电阻	100MΩhm @500VDC	RADIAL-FORCE	径向压力	Fr=28 N Max
ROTOR INERTIA	转子转动惯量	1g.cm <sup>2</sup>	SHAFT RADIAL PLAY	径向间隙	0.02mm Max.@4N
WEIGHT	重量	0.04kg	SHAFT AXIAL PLAY	轴向间隙	0.14mm Max.@4N
OPERATION AMBIENT	使用环境	Ambient temperature:-25...+40°C, humidity Max.85%(No condensation)			
STORAGE AMBIENT	存储环境	Ambient temperature:-10...+35°C, humidity Max.85%(No condensation)			

A		DESIGN	DATE	P/N.	
REV	ECN NO.	DESCRIPTION		TITLE	3.1.08.022.***
UNLESS OTHERWISE SPECIFIED		MATERIAL	CONTR.	CHECK	电机
TOLERANCES:				USED ON	FL22SBL40-24V-400-25A
DECIMALS:		ANGULAR:		DWG NO.	REV
.X ±0.5		±0°30'			A
.XX ±0.25				FULLING MOTOR	
.XXX ±0.1		FIRST ANGLE PROJECTION		SCALE	1:1
UNIT: mm				SHEET	1 OF 1
DO NOT SCALE DRAWING					