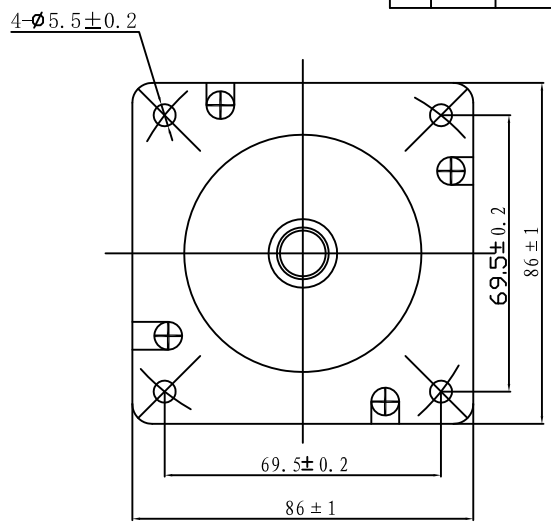
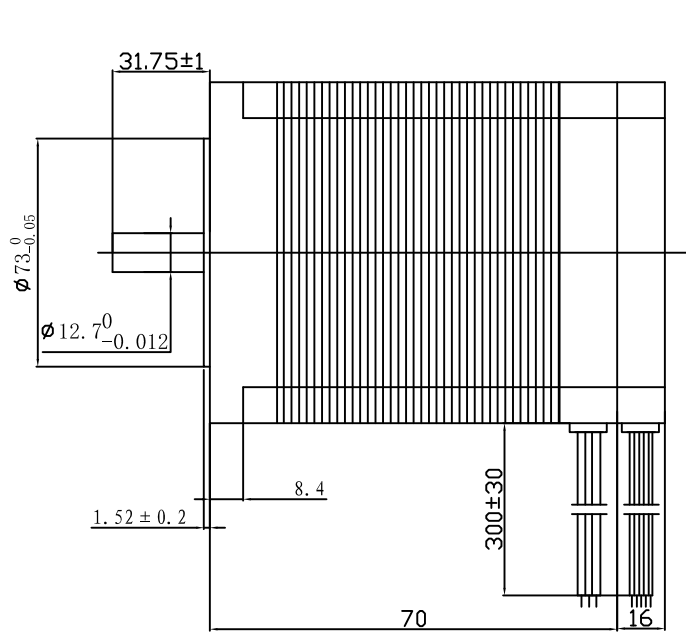
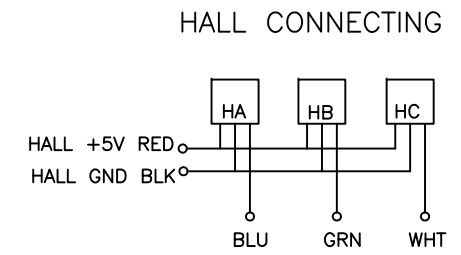
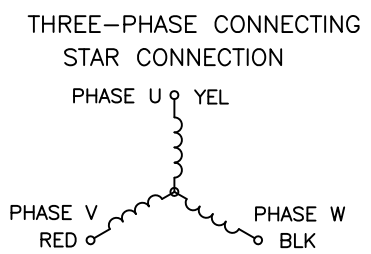


REV	ECN NO.	DESCRIPTION



NUMBER OF PHASE	绕组相数	3	Wires for Phases UL1332 AWG18		
NUMBER OF POLES	极数	8	PHASE U	PHASE V	PHASE W
LINE TO LINE RESISTANCE	线电阻	0.34±10% ohms@20°C	YEL	RED	BLK
LINE TO LINE INDUCTANCE	线电感	1±20% mH@1kHz	Wires for Hall UL1332 AWG22		
NOMINAL VOLTAGE	额定电压	48 VDC	HALL Vc	Hu	Hv
NO LOAD SPEED	空载转速	3580 RPM	RED	BLU	GRN
NO LOAD CURRENT	空载电流	0.85 A	Hw	WHT	BLK
RATED TORQUE	额定转矩	0.7 N.m	PERMISSIBLE RADIAL+AXIAL FORCE		
RATED SPEED	额定转速	3000 RPM	SPRING WASHER		
RATED CURRENT	额定电流	5.73 A	BEARING		
PEAK TORQUE	峰值转矩	2.1 N.m	Fr		
PEAK CURRENT	峰值电流	17.5 A	Fa		
BACK EMF CONSTANT	反电势常数	9 Vrms/kRPM			
TORQUE CONSTANT	转矩常数	0.122 N.m/A			
INSULATION CLASS	绝缘等级	B 130°C	AXIAL-FORCE 径向压力 Fa=220 N Max.		
DIELECTRIC STRENGTH	介电强度	600VAC 1SEC	DISTANCE 距离 a=20 mm		
INSULATION RESISTANCE	绝缘电阻	100MΩ @ 500VDC	RADIAL-FORCE 轴向压力 Fr=60 N Max.		
ROTOR INERTIA	转子转动惯量	800 g.cm ²	SHAFT RADIAL PLAY 径向间隙 0.02mm Max.@450g		
WEIGHT	重量	2.12 Kg	SHAFT AXIAL PLAY 轴向间隙 0.08mm Max.@450g		
OPERATION AMBIENT	使用环境	Ambient temperature:-20...+55°C, humidity Max. 85%(No condensation)			
STORAGE AMBIENT	存储环境	Ambient temperature:-10...+35°C, humidity Max. 85%(No condensation)			



DESIGN	DATE	P/N.	3.1.02.XXX.XXXX
UNLESS OTHERWISE SPECIFIED TOLERANCES	MATERIAL	CONTR.	CHECK
DECIMALS: .x ±0.5			
ANGULAR: .xx ±0.25			
.xxx ±0.1			
UNIT: mm	FIRST ANGLE PROJECTION	SCALE	N.T.S
DO NOT SCALE DRAWING		SHEET	1 OF 1
		DWG NO.	FL86BLS71
		REV	A
		FULLING MOTOR	