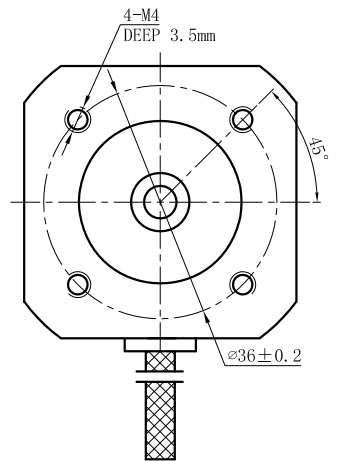
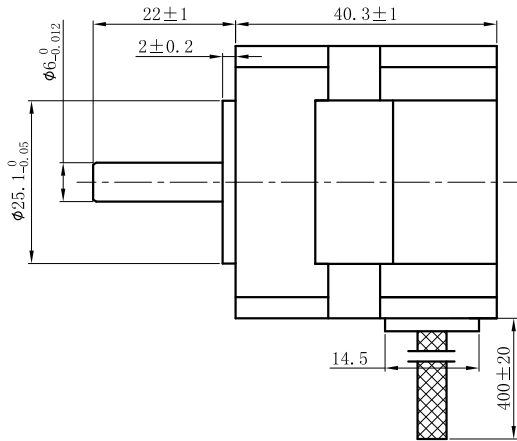
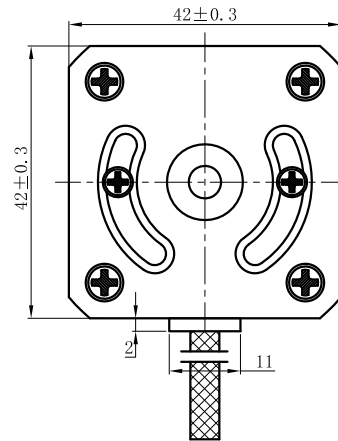
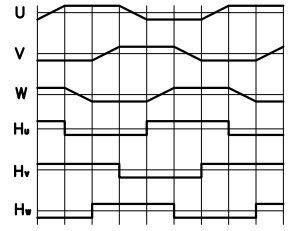


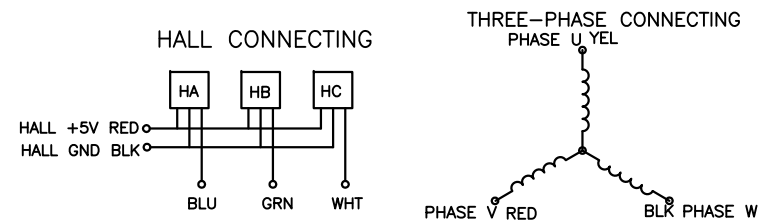
REV	ECN NO.	DESCRIPTION	DRN	APPD	DATE



CW COMMUTATION:
VIEWED FROM OUTPUT SHAFT



NUMBER OF PHASE		绕组相数	3	Wires for Phases UL1430 AWG20		
NUMBER OF POLES	极数	6	PHASE U	PHASE V	PHASE W	
LINE TO LINE RESISANCE	线电阻	4 ± 10% ohms@20°C	YEL	RED	BLK	
LINE TO LINE INDUCTANCE	线电感	2.1 ± 20% mH@1kHz	Wires for HALL UL1430 AWG26			
NOMINAL VOLTAGE	额定电压	24 VDC	HALL Vc	Hu	Hv	Hw
NO LOAD SPEED	空载转速	4000 ± 10% RPM	RED	BLU	GRN	WHT
NO LOAD CURRENT	空载电流	< 0.5 A				HALL Gnd
PERMISSIBLE RADIAL+AXIAL FORCE						
RATED TORQUE	额定转矩	0.064 N.m				
RATED SPEED	额定转速	3000 ± 10% RPM				
RATED CURRENT	额定电流	1.16 A				
PEAK TORQUE	峰值转矩	0.19 N.m				
PEAK CURRENT	峰值电流	3.5 A				
BACK EMF CONSTANT	反电势常数	4.2 ± 10% Vrms/kRPM				
TORQUE CONSTANT	转矩常数	0.057 N.m/A				
INSULATION CLASS	绝缘等级	B 130°C	AXIAL-FORCE	轴向压力	Fa=10 N Max	
DIELECTRIC STRENG	介电强度	600VAC 1SEC	DISTANCE	距离	a=10 mm	
INSULATION RESIST	绝缘电阻	100M0hm @500VDC	RADIAL-FORCE	径向压力	Fr=28 N Max	
ROTOR INERTIA	转子转动惯量	60 g.cm ²	SHAFT RADIAL PLAY	径向间隙	0.02mm Max.Ø4N	
WEIGHT	重量	0.4 Kg	SHAFT AXIAL PLAY	轴向间隙	0.14mm Max.Ø4N	
OPERATION AMBIENT	使用环境	Ambient temperature:-20...+50° C, humidity Max. 85%(No condensation)				
STORAGE AMBIENT	存储环境	Ambient temperature:-20...+85° C, humidity Max. 85%(No condensation)				



REV	ECN NO.	DESCRIPTION	DESIGN	DATE	P/N.
UNLESS OTHERWISE SPECIFIED		MATERIAL	CONTR	CHECK	TITLE
TOLERANCES					Specifications
DECIMALS:	ANGULAR:				USED ON
.x ±0.5	±0° 30'				FL42BLB01
.xx ±0.25					DWG NO.
.xxx ±0.1					REV
UNIT: mm	FIRST ANGLE PROJECTION	SCALE 1:1			A
DO NOT SCALE DRAWING		SHEET 1 OF 1			FULLING MOTOR