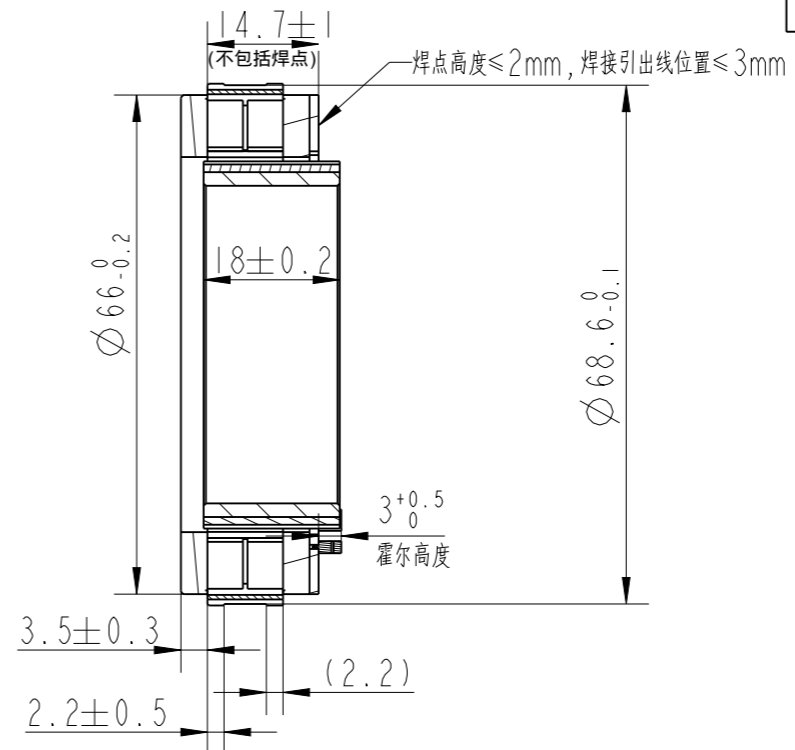
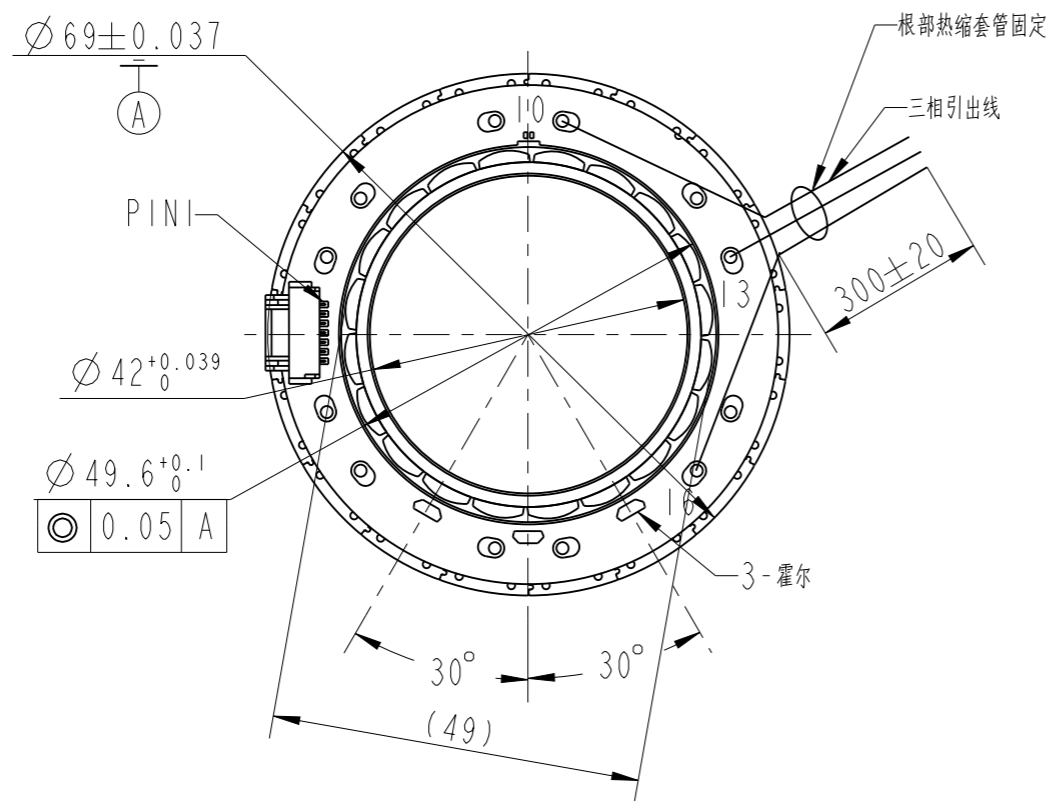
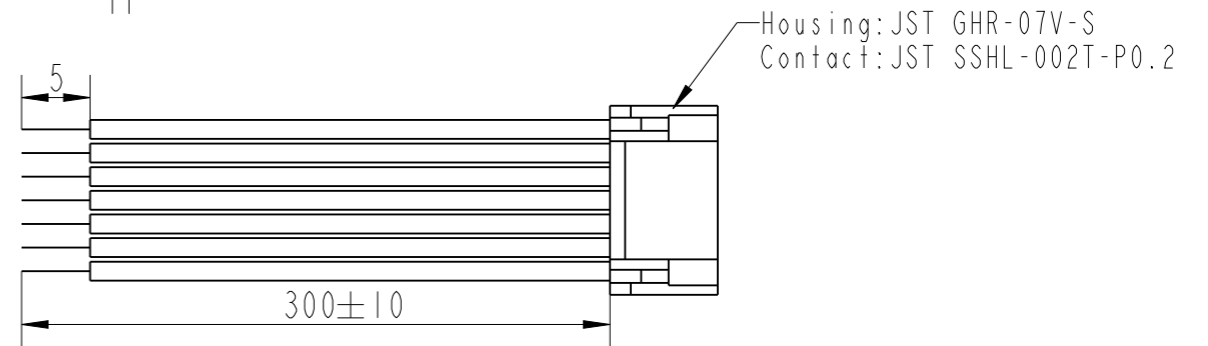
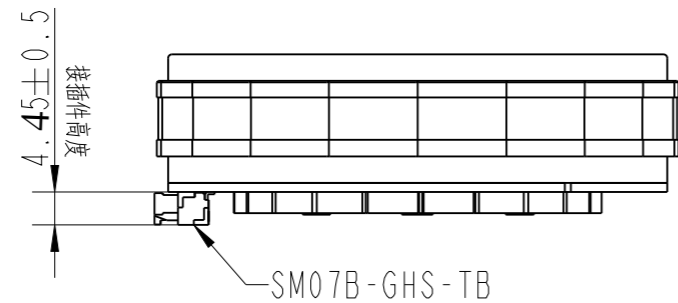


热敏型号: LTS00-104J395J21D005

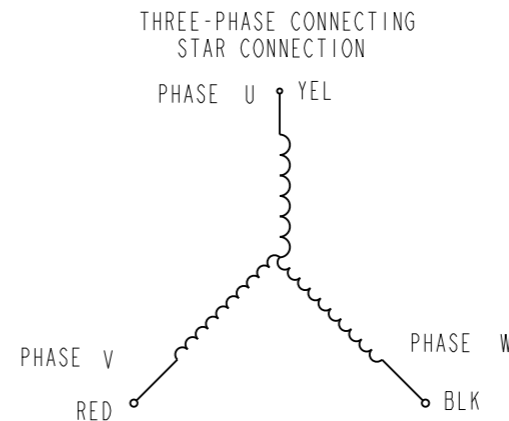
REV	ECN	NO	DESCRIPTION	DRN	APP'D	DATE



PIN1	NTC2
PIN2	NTC1
PIN3	GND
PIN4	Ha
PIN5	Hb
PIN6	Hc
PIN7	Vcc



NUMBER OF PHASE	绕组相数	3	Wires for Phases UL1332 AWG20		
NUMBER OF POLES	极数	20	PHASE U	PHASE V	PHASE W
LINE TO LINE RESISTANCE	线电阻	0.38±10% ohms@20°C	YEL	RED	BLK
LINE TO LINE INDUCTANCE	线电感	0.33±20% mH@1kHz	Wires for Hall UL1061 AWG26		
NOMINAL VOLTAGE	额定电压	48 VDC	HALL Vc	Hu	Hv
NO LOAD SPEED	空载转速	4750±10% RPM	RED	BLU	GRN
NO LOAD CURRENT	空载电流	0.4 A (Ref)	Hw	Hw	Hw
RATED TORQUE	额定转矩	0.55N.m	HALL Gnd	WHT	BLK
RATED SPEED	额定转速	3650 RPM	NTC1	NTC2	
RATED CURRENT	额定电流	5.1A	YEL	BRN	
PEAK TORQUE	峰值转矩	1.65N.m	PERMISSIBLE RADIAL+AXIAL FORCE		
PEAK CURRENT	峰值电流	15.5A			
BACK EMF CONSTANT	反电势常数	7.14±10% Vrms/kRPM			
TORQUE CONSTANT	转矩常数	0.118 mN.m/A			
INSULATION CLASS	绝缘等级	B 130°C	AXIAL-FORCE	轴向压力	Fa=/ N Max
DIELECTRIC STRENG	介电强度	1000VAC 1SEC	DISTANCE	距离	a=/ mm
INSULATION RESIST	绝缘电阻	100MΩm @500VDC	RADIAL-FORCE	径向压力	Fr=/ N Max
ROTOR INERTIA	转子转动惯量	332.6g.cm ²	SHAFT RADIAL PLAY	径向间隙	/mm Max. @4N
WEIGHT	重量	210g	SHAFT AXIAL PLAY	轴向间隙	/mm Max. @4N
OPERATION AMBIENT	使用环境	Ambient temperature:-25...+45°C, humidity Max.85%(No condensation)			
STORAGE AMBIENT	存储环境	Ambient temperature:-10...+45°C, humidity Max.85%(No condensation)			



REV	ECN	NO	DESCRIPTION	DESIGN	DATE	P/N.
				ZLF	22/03/01	
UNLESS OTHERWISE SPECIFIED			MATERIAL	CONTR.	CHECK	TITLE
TOLERANCES:						USED ON
DECIMALS:						FL70BL10-48V-36250A
.X ±0.5						DWG NO.
.XX ±0.25						REV
.XXX ±0.1						A
UNIT: mm			FIRST ANGLE PROJECTION	SCALE 1:1	FULLING MOTOR	
DO NOT SCALE DRAWING				SHEET 1 OF 1		