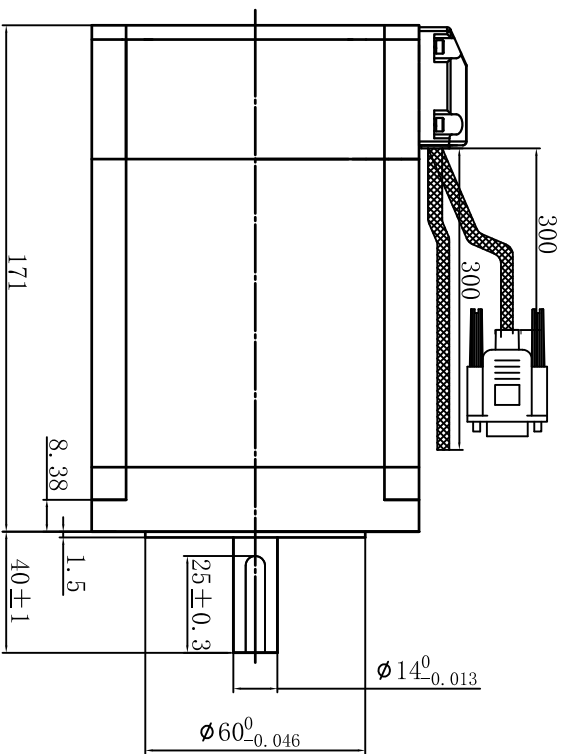
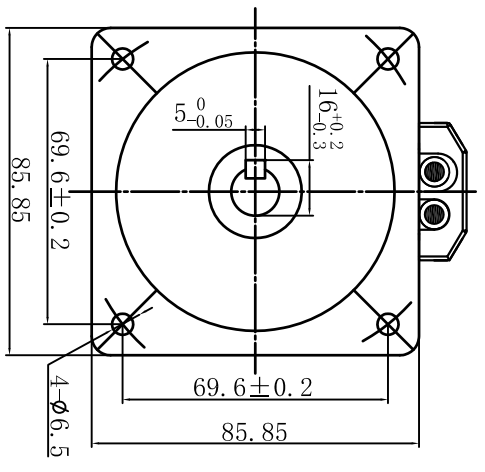


REV	ICN NO.	DESCRIPTION	DRN	APP'D	DATE



Exciting Sequence (励磁顺序)

CCW DIRECTION	STEP	A	A-	B	B-
↑	1	+	+	+	+
	2	+	+	+	+
	3	+	+	+	+
	4	+	+	+	+

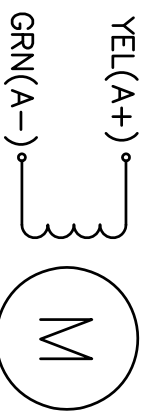
CCW, see from flange side
(逆时针, 从法兰侧看)

P1 焊点图

三排 5P 公头	芯线颜色	信号定义
3	红白	GND
2	红	VCC(5V)
13	蓝	EA-
1	蓝黑	EA+
12	黑	EB-
11	黑白	EB+
	外壳	编织

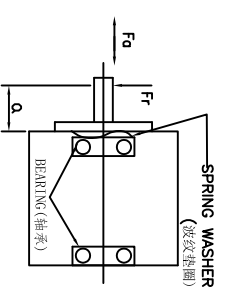
Wiring Diagram:

Encoder: 1000cpr



YGZF-S 4*0.75 Cable

PERMISSIBLE RADIAL+AXIAL FORCE
(允许的轴上和轴向力)



AXIAL-FORCE 轴向压力 Fa=36 N Max.

DISTANCE 距离 a=20 mm

RADIAL-FORCE 径向压力 Fr=130 N Max.

STEP ANGLE	步距角	1.8°/full step (整步)
STEP ANGLE ACCURACY	步距角精度	±5%
NUMBER OF PHASE	绕组相数	2
RATED VOLTAGE	额定电压	4.38VDC
RATED CURRENT	额定电流	6A
RESISTANCE/PHASE	每相电阻	0.73±10% ohms@20°C
INDUCTANCE/PHASE	每相电感	8.68±20% mH@1KHZ
HOLDING TORQUE	保持转矩	12N.m
PULL OUT TORQUE	运行转矩	
BACK EMF	反电动势	
DETENT TORQUE	定位转矩	
ROTOR INERTIA	转子转动惯量	4000g.cm ²
WEIGHT	重量	5.5Kg
TEMPERATURE RISE	温升	Less than 80K (小于80开)
SOURCE VOLTAGE	驱动器电压	VDC
INSULATION CLASS	绝缘等级	B 130°C
DIELECTRIC STRENGTH	介电强度	1200VAC/1S
INSULATION RESISTANCE	绝缘电阻	100MΩhm @500VDC
IP CODE	防护等级	IP30
OPERATION AMBIENT	使用环境	Ambient temperature:-20...+40°C,humidity Max. 85%(No condensation)
STORAGE AMBIENT	存储环境	Ambient temperature:-20...+60°C,humidity Max. 85%(No condensation)

UNLESS OTHERWISE SPECIFIED TOLERANCES:	MATERIAL	CONTR.	CHECK	DESIGN	DATE	P/N
DECIMALS: ±0.5						
ANGULAR: ±0°30'						
XXX ±0.25						
UNIT: mm ±0.1						
DO NOT SCALE DRAWING						
FIRST ANGLE PROJECTION						
SCALE						
SHEET						
OF						
TITLE	Specifications					
USED ON	F186SC120					
DWG NO.	REV A					
PULLING MOTOR						