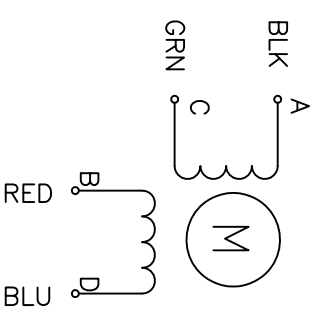


REV	ECN NO.	DESCRIPTION	DRN	APP'D	DATE

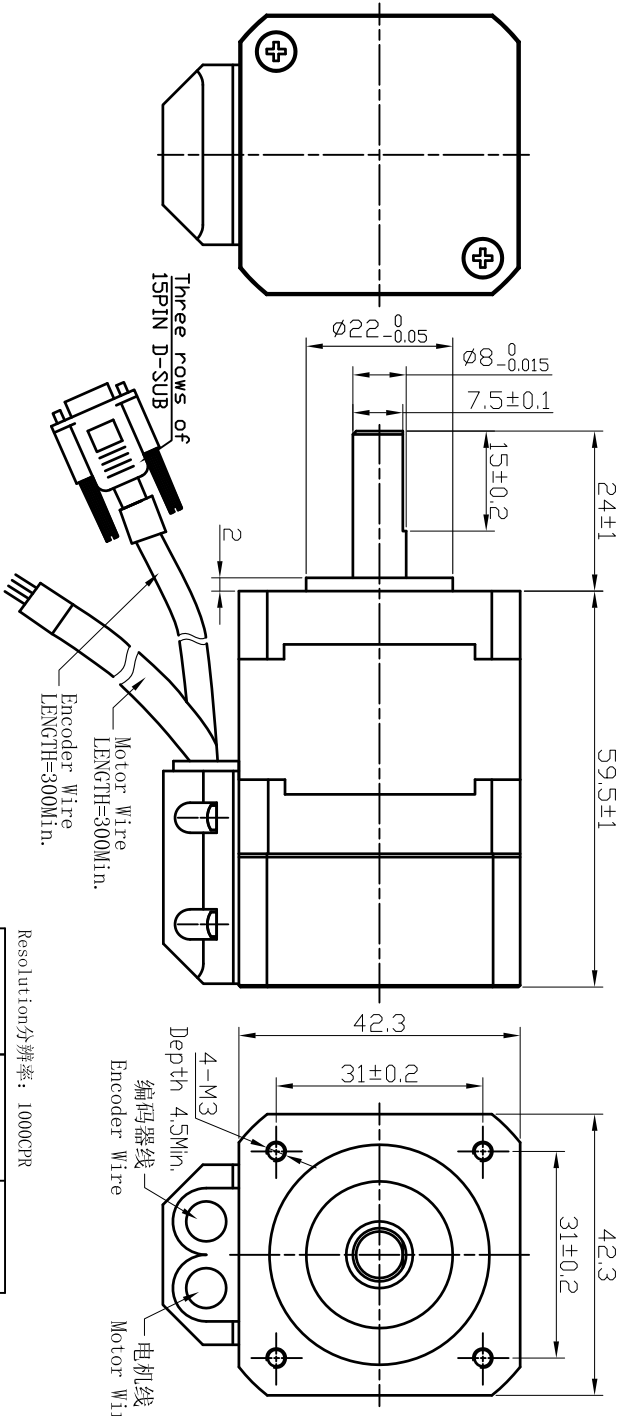
Wiring Diagram (接线图)



Exciting Sequence (励磁顺序)

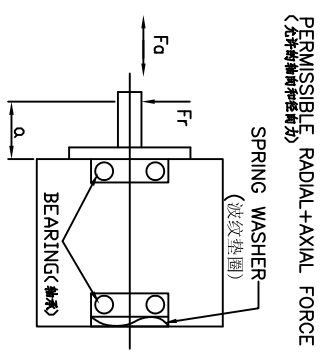
CCW DIRECTION	STEP	A	C	B	D
↑	1	+		+	
	2		+		+
	3			+	+
	4	+			+
↓	1	+			+

CCW, see from flange side
(逆时针, 从法兰侧看)



SPECIFICATION

STEP ANGLE	步距角	1.8°/full step(步角)
STEP ANGLE ACCURACY	步距角精度	±5%
NUMBER OF PHASE	绕组相数	2
RATED VOLTAGE	额定电压	2.16 V
RATED CURRENT	额定电流	2.3 A
RESISTANCE/PHASE	每相电阻	0.94±0.1 ohms@20°C
INDUCTANCE/PHASE	每相电感	1.8±20% mH@1kHz
HOLDING TORQUE	保持转矩	3000 g.cm
PULL OUT TORQUE	运行转矩	
BACK EMF	反电动势	
DETENT TORQUE	定位转矩	
ROTOR INERTIA	转子转动惯量	54 g.cm ²
WEIGHT	重量	300 g
TEMPERATURE RISE	温升	Less than 80K(A*80%)
SOURCE VOLTAGE	驱动器电压	24 VDC
INSULATION CLASS	绝缘等级	B 130°C
DIELECTRIC STRENGTH	介电强度	500VAC 1MIN
INSULATION RESISTANCE	绝缘电阻	100MΩhm @500VDC
IP CODE	防护等级	IP30
OPERATION AMBIENT	使用环境	Ambient temperature:-20...+50°C, humidity Max. 85%(No condensation)
STORAGE AMBIENT	存储环境	Ambient temperature:-20...+85°C, humidity Max. 85%(No condensation)



PERMISSIBLE RADIAL+AXIAL FORCE
(允许轴向外力和径向力)

SPRING WASHER (波纹垫圈)

BEARING (轴承)

Resolution分辨率: 1000CPR

Three rows of 15PIN D-SUB	芯线颜色 (Colour)	信号定义 (Definition)
3	红白 (RED/WHI)	GND
2	红 (RED)	VCC (5V)
13	蓝 (BLU)	EA-
1	蓝黑 (BLU/BLK)	EA+
12	黑 (BLK)	EB-
11	黑白 (BLK/WHI)	EB+

外壳 (Shell) 编织 (Knit)

DESIGN	DATE	P/N	TITLE
		3.101.042.***	Specifications
			USED ON
			FL425C-03
			DWG NO.
			REV
			A

UNLESS OTHERWISE SPECIFIED	MATERIAL	CONTR.	CHECK
TOLERANCES:			
DECIMALS:			
.X	±0.5		
.XX	±0.25		
.XXX	±0.1		
UNIT: mm			
DO NOT SCALE DRAWING			

FIRST ANGLE PROJECTION	SCALE	NTS	PULLING MOTOR