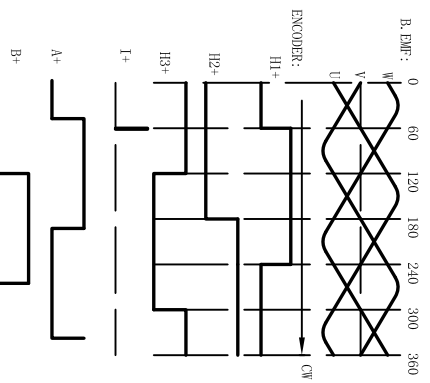


NUMBER OF PHASE	3	PHASE U	PHASE V	PHASE W	PE
NUMBER OF POLES	8	YEL	RED	BLK	YEL/GRN
LINE TO LINE RESISTANCE	0.034±10% ohms@20°C	Wires for phase			
LINE TO LINE INDUCTANCE	0.16±20% mH@1kHz	Feedback Info			
NOMINAL VOLTAGE	48 VDC	2500p/rev Incremental encoder			
NO LOAD SPEED	5000±10% RPM	PERMISSIBLE RADIAL+AXIAL FORCE			
NO LOAD CURRENT	0.8 A				
RATED TORQUE	3.2Nm	SPRING WASHER			
RATED SPEED	3000 RPM	DISTANCE			
RATED CURRENT	30A	RADIAL-FORCE			
PEAK TORQUE	9.6Nm	FR			
PEAK CURRENT	89.7 A	F=392 N Max.			
BACK EMF CONSTANT	6.5 Vrms/kRPM	SHAFT RADIAL PLAY			
TORQUE CONSTANT	0.107N.m/A	0.02mm Max. @4N			
INSULATION CLASS	B 130°C	SHAFT AXIAL PLAY			
DIELECTRIC STRENG	600VAC 1SEC	0.08mm Max. @4N			
INSULATION RESIST	100MΩm @500VDC	WEIGHT			
ROTOR INERTIA	1.7Kg.cm ²	3.2Kg			
OPERATION AMBIENT	Ambient temperature: -20...+55°C, humidity Max. 85% (No condensation)	STORAGE AMBIENT			
STORAGE AMBIENT	Ambient temperature: -10...+35°C, humidity Max. 85% (No condensation)				

Front shaft CW rotate
View to front shaft



Feedback Wire:

Color	Pin	Define	Color	Pin	Define
RED	pin1	+5V	BLU/WH	pin9	H3+
BLK	pin2	GND	ORG/WH	pin10	H2+
BLK	pin3	YEL/WH	pin11	I-	
BRW/WH	pin4	H+	GRV/WH	pin12	B-
BRW	pin5	H1-	GRN	pin13	A-
YEL	pin6	I+	BLU	pin14	H3-
GRY	pin7	B+	ORG	pin15	H2-
GRN/WH	pin8	A+	CASE	SHIELD	

30015
000
000
000
000
1811

REV	ECN NO	DESCRIPTION	CONTR.	CHECK	DATE	P/N.
UNLESS OTHERWISE SPECIFIED						
TOLERANCES:						
DECIMALS:						
.XX ±0.5			ANGULAR:			
.XXX ±0.25			±0.30°			
.XXX ±0.1			FIRST ANGLE PROJECTION			
UNIT: mm			SCALE			
DD NOT SCALE DRAWING			SHEET OF			
DESIGN			DATE			
TITLE			P/N.			
SPECIFICATION			USED ON			
FL80SV100			DWG NO.			
REV			REV			
A			A			
FULLING MOTOR						