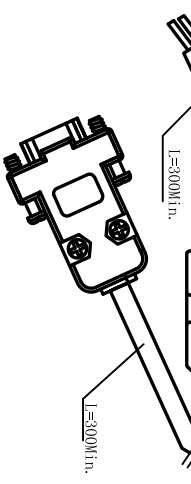
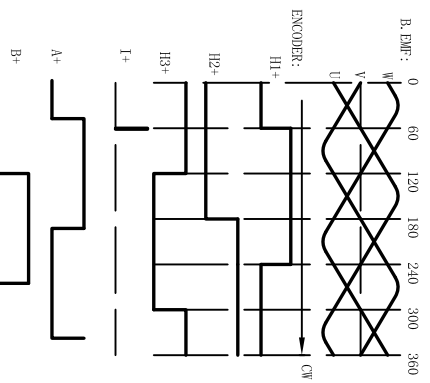


NUMBER OF PHASE	3	PHASE U	PHASE V	PHASE W	PE
NUMBER OF POLES	8	YEL	RED	BLK	YEL/GRN
LINE TO LINE RESISTANCE	0.05±10% ohms@20°C	Feedback Info			
LINE TO LINE INDUCTANCE	0.28±20% mH@1kHz	2500p/rev Incremental encoder			
NOMINAL VOLTAGE	48 VDC	PERMISSIBLE RADIAL+AXIAL FORCE			
NO LOAD SPEED	5000±10% RPM	AXIAL-FORCE F _a = 14.7 N Max.			
NO LOAD CURRENT	0.8 A	RADIAL-FORCE F _r = 39.2 N Max.			
RATED TORQUE	2.38N.m	DISTANCE g=10 mm			
RATED SPEED	3000 RPM	SHAFT RADIAL PLAY 0.02mm Max. @4N			
RATED CURRENT	22.2A	SHAFT AXIAL PLAY 0.08mm Max. @4N			
PEAK TORQUE	7.14N.m	SPRING WASHER			
PEAK CURRENT	66.7 A	BEARING			
BACK EMF CONSTANT	6.5 Vrms/kRPM				
TORQUE CONSTANT	0.107N.m/A				
INSULATION CLASS	B/130°C				
DIELECTRIC STRENG	600VAC 1SEC				
INSULATION RESIST	100MΩm @50VDC				
ROTOR INERTIA	1.24kg·cm ²				
WEIGHT	2.9kg				
OPERATION AMBIENT	Ambient temperature: -20...+55°C, humidity Max. 85% (No condensation)				
STORAGE AMBIENT	Ambient temperature: -10...+35°C, humidity Max. 85% (No condensation)				



Front shaft CW rotate
View to front shaft



Feedback Wire:

Color	Pin	define	Color	Pin	define
RED	pin1	+5V	BLU/WH	pin9	H3+
BLK	pin2	GND	ORG/WH	pin10	H2+
BLK	pin3		YEL/WH	pin11	I-
BRW/WH	pin4	H+	GRV/WH	pin12	B-
BRW	pin5	H1-	GRN	pin13	A-
YEL	pin6	I+	BLU	pin14	H3-
GRY	pin7	B+	ORG	pin15	H2-
GRN/WH	pin8	A+	CASE	SHIELD	

DB 15M
3 0 0 1 5
0 0 0
0 0 0
0 0 0
1 8 1 1

REV	EQN NO	DESCRIPTION	CONTR.	CHECK	DATE	P/N.
UNLESS OTHERWISE SPECIFIED						
TOLERANCES:						
DECIMALS:						
.X ±0.5			ANGULAR:			
.XX ±0.25			° ±0.30°			
.XXX ±0.1			UNIT: mm			
DD NOT SCALE DRAWING			FIRST ANGLE PROJECTION			
SCALE			SHEET OF			
DESIGN			DATE			
TITLE			P/N.			
SPECIFICATION			USED ON			
FL80S75			DWG NO.			
REV			REV			
A			A			
FULLING MOTOR						