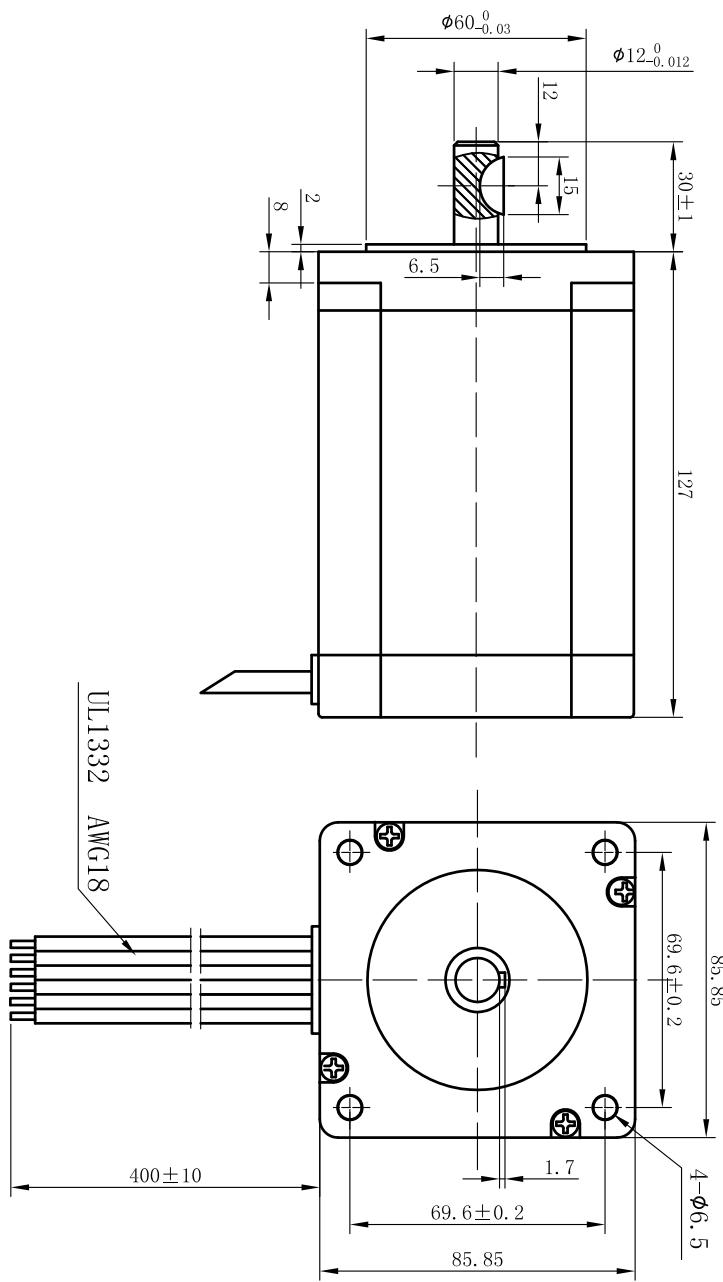
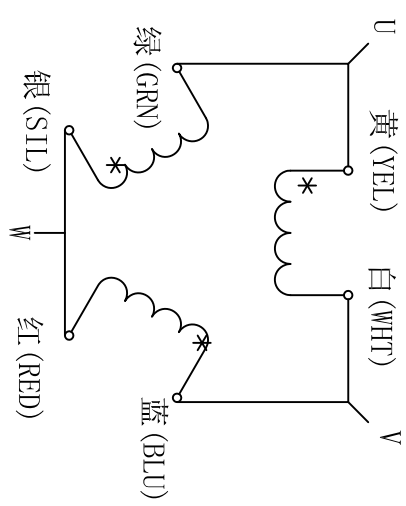


REV	ECN NO.	DESCRIPTION	DRN	APP'D	DATE

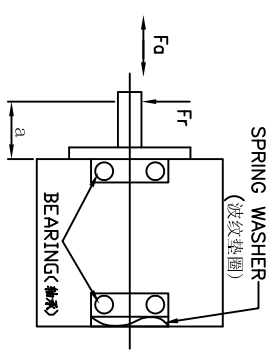
接线图 (Wiring Diagram)



SPECIFICATION

STEP ANGLE	步距角	1.2°/full step(步距)
STEP ANGLE ACCURACY	步距角精度	±5%
NUMBER OF PHASE	绕组相数	3
RATED VOLTAGE	额定电压	20 VDC
RATED CURRENT	额定电流	2.25 A
RESISTANCE/PHASE	每相电阻	9±10% ohms@20°C
INDUCTANCE/PHASE	每相电感	41±20% mH@1KHz
HOLDING TORQUE	保持转矩	6.78 N.m
PULL OUT TORQUE	运行转矩	N.cm@ RPM
BACK EMF	反电势	V @300RPM
DETENT TORQUE	定位转矩	0.26 N.m
ROTOR INERTIA	转子转动惯量	2300 g.cm ²
WEIGHT	重量	3.8 Kg
TEMPERATURE RISE	温升	Less than 80K(ΔT80K)
SOURCE VOLTAGE	驱动器电压	N/A
INSULATION CLASS	绝缘等级	B 130°C
DIELECTRIC STRENGTH	介电强度	1200VAC/1S
INSULATION RESISTANCE	绝缘电阻	100MΩhm @500VDC
IP CODE	防护等级	30
OPERATION AMBIENT	使用环境	Ambient temperature:-20...+50°C,humidity Max. 85%(No condensation)
STORAGE AMBIENT	存储环境	Ambient temperature:-20...+85°C,humidity Max. 85%(No condensation)

PERMISSIBLE RADIAL+AXIAL FORCE
(允许轴向外力和轴向力)



UNLESS OTHERWISE SPECIFIED TOLERANCES: ANGULAR: .xxx ±0.5 ±0.25 ±0°30'		FIRST ANGLE PROJECTION		DESIGN		DATE		P/N	
DO NOT SCALE DRAWING		MATERIAL		CHECK		DRAWING NO.		TITLE	
						FL863P127-01AW		Specifications	
						REV A			
						SCALE 1:2		PULLING MOTOR	