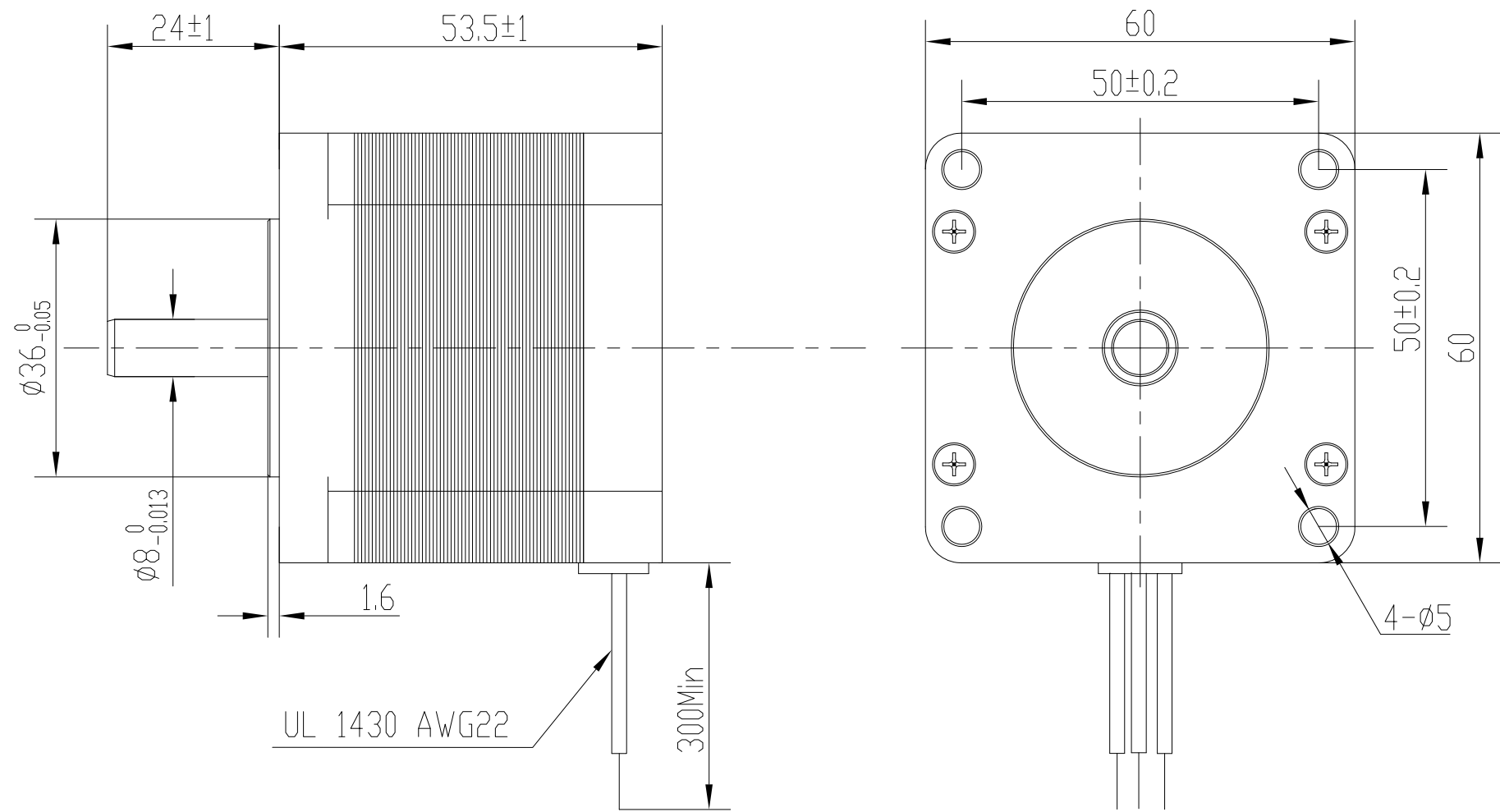
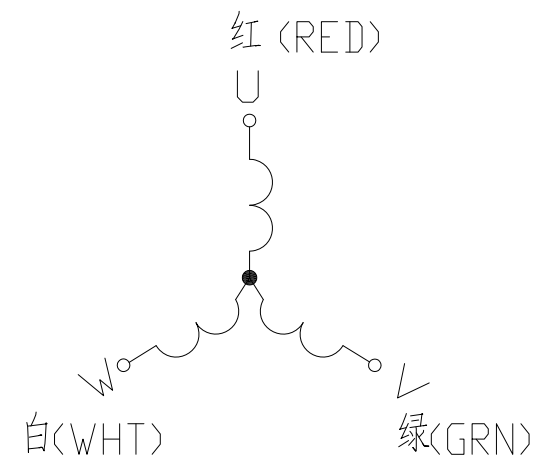


REV	ECN NO.	DESCRIPTION	DRN	APP'D	DATE



Wiring Diagram:



SPECIFICATION

STEP ANGLE	步距角	1.2°/full step(整步)	<p>PERMISSIBLE RADIAL+AXIAL FORCE (允许的轴向和径向力)</p>
STEP ANGLE ACCURACY	步距角精度	±5%	
NUMBER OF PHASE	绕组相数	3	
RATED VOLTAGE	额定电压	6.15 VDC	
RATED CURRENT	额定电流	1.5 A	
RESISTANCE/PHASE	每相电阻	4.1±10% ohms@20°C	
INDUCTANCE/PHASE	每相电感	9.5±20% mH@1kHz	
HOLDING TORQUE	保持转矩	0.8 N.m	
PULL OUT TORQUE	运行转矩	N.cm@ RPM	
BACK EMF	反电动势	V @300RPM	
DETENT TORQUE	定位转矩	N.cm	
ROTOR INERTIA	转子转动惯量	260 g.cm <sup>2</sup>	
WEIGHT	重量	0.8 kg	
TEMPERATURE RISE	温升	Less than 80K(小于80开)	
SOURCE VOLTAGE	驱动器电压	24 VDC	
INSULATION CLASS	绝缘等级	B 130°C	
DIELECTRIC STRENGTH	介电强度	500VAC 1MIN	
INSULATION RESISTANCE	绝缘电阻	100MΩ @500VDC	
IP CODE	防护等级	IP30	
OPERATION AMBIENT	使用环境	Ambient temperature:-20...+50°C, humidity Max. 85%(No condensation)	
STORAGE AMBIENT	存储环境	Ambient temperature:-20...+85°C, humidity Max. 85%(No condensation)	

CW DIRECTION	STEP	A	B	C
↓	1	+		
	2		+	
	3			+
	1	+		

CW see from the flange side

PN号	名称	数量	单位	备注	PN号	名称	数量	单位	备注
	DESIGN					DATE			
						P/N.			3.1.01.060.****
						TITLE			Specifications
						USED ON			FL603P1253-1503A
						DWG NO.			REV A
									FULLING MOTOR

UNLESS OTHERWISE SPECIFIED TOLERANCES  
 DECIMALS: .x ±0.5 .xx ±0.25 .xxx ±0.1  
 ANGULAR: ±0°30'  
 UNIT: mm  
 DO NOT SCALE DRAWING

MATERIAL CONTR. CHECK APPD  
 FIRST ANGLE PROJECTION  
 SCALE NTS  
 SHEET OF