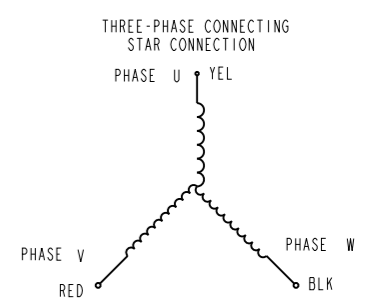
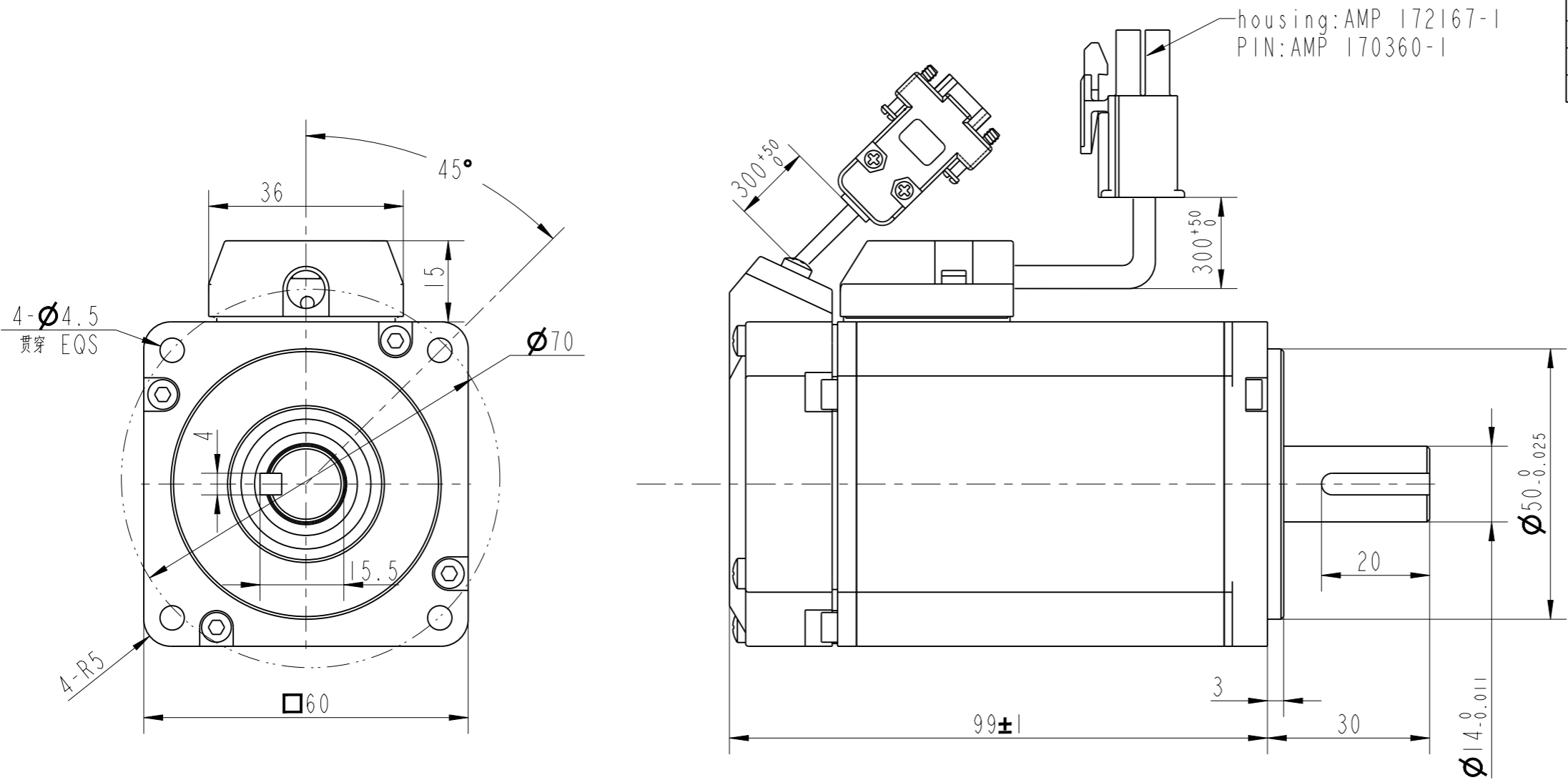


REV	ECN	NO	DESCRIPTION	DRN	APP'D	DATE



NUMBER OF PHASE	绕组相数	3	Wires for Phases AWG19		
NUMBER OF POLES	极数	10	PHASE U	PHASE V	PHASE W
LINE TO LINE RESISTANCE	线电阻	3.7±10% ohms@20°C	YEL	RED	BLK
LINE TO LINE INDUCTANCE	线电感	7.2±20% mH@1kHz	Feedback info		
NOMINAL VOLTAGE	额定电压	220 VAC	Feedback device:2500cpr incrtmental optical encoder		
NO LOAD SPEED	空载转速	6900±10% RPM			
NO LOAD CURRENT	空载电流	0.3 A			
RATED TORQUE	额定转矩	1.27 N.m			
RATED SPEED	额定转速	3000 RPM			
RATED CURRENT	额定电流	2.4 A			
PEAK TORQUE	峰值转矩	3.81 N.m			
PEAK CURRENT	峰值电流	7.2 A			
BACK EMF CONSTANT	反电势常数	32 Vrms/kRPM			
TORQUE CONSTANT	转矩常数	0.53 N.m/A			
INSULATION CLASS	绝缘等级	F 155°C			
DIELECTRIC STRENG	介电强度	1800VAC ISEC	DISTANCE	距离	a=20 mm
INSULATION RESIST	绝缘电阻	100MOhm @500VDC	RADIAL-FORCE	径向压力	Fr=245 N Max
ROTOR INERTIA	转子转动惯量	0.25X10 ⁻⁴ Kg.m ²	SHAFT RADIAL PLAY	径向间隙	/mm Max.@4N
WEIGHT	重量	1.3 Kg	SHAFT AXIAL PLAY	轴向间隙	/mm Max.@4N
OPERATION AMBIENT	使用环境	Ambient temperature:-20...+50°C,humidity Max.85%(No condensation)			
STORAGE AMBIENT	存储环境	Ambient temperature:-20...+85°C,humidity Max.85%(No condensation)			

编码器出线定义

PIN	定义	PIN	定义
1	+5V	9	W+
2	GND	10	V+
3	/	11	Z-
4	U+	12	B-
5	U-	13	A-
6	Z+	14	W-
7	B+	15	V-
8	A+	外壳	SHIELD

电源接线定义

PIN位置	接口定义	引出线颜色
PIN1	U	YEL
PIN2	V	RED
PIN3	W	BLK
PIN4	PE	YEL/GRN

A	REV	ECN NO.	DESCRIPTION	DESIGN	DATE	P/N.	TITLE
							SPECIFICATIONS
UNLESS OTHERWISE SPECIFIED TOLERANCES:			MATERIAL	WEIGHT	CHECK	USED ON	FL60SV40-220V-30EA1
DECIMALS: .X ±0.5 .XX ±0.25 .XXX ±0.1						DWG NO.	REV A
ANGULAR: ±0°30'			SHEET	STANDARDIZATION			
UNIT: mm			1 OF 1				
DO NOT SCALE DRAWING			FIRST ANGLE PROJECTION	SCALE	APPD		FULLING MOTOR