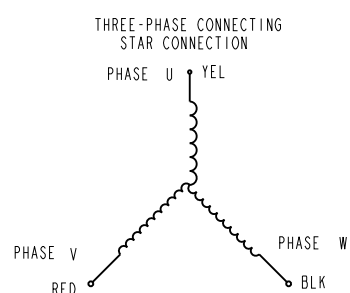
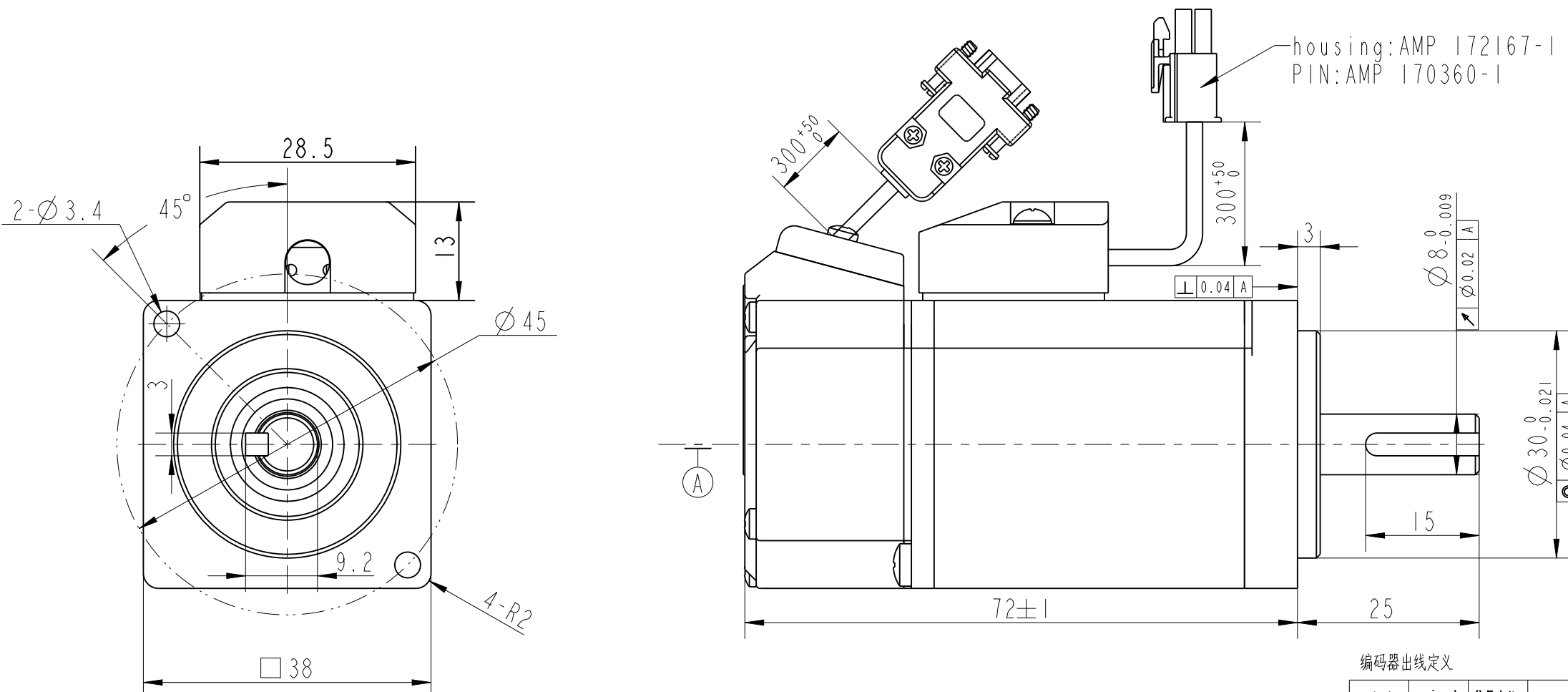
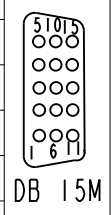


REV	ECN	NO	DESCRIPTION	DRN	APP'D	DATE



编码器出线定义

颜色	pin序	信号定义	颜色	pin序	信号定义
红	pin1	+5V	白	pin9	W+
黑	pin2	GND	灰	pin10	V+
	pin3		黄黑	pin11	Z-
棕	pin4	U+	蓝黑	pin12	B-
棕黑	pin5	U-	绿黑	pin13	A-
黄	pin6	Z+	白黑	pin14	W-
蓝	pin7	B+	灰黑	pin15	V-
绿	pin8	A+	外壳	SHIELD	



电源出线定义

PIN位置	接口定义	引出线颜色
PIN1	U	YEL
PIN2	V	RED
PIN3	W	BLK

NUMBER OF PHASE	绕组相数	3	Wires for Phases AWG20		
NUMBER OF POLES	极数	10	PHASE U	PHASE V	PHASE W
LINE TO LINE RESISTANCE	线电阻	2.2±10% ohms@20°C	YEL	RED	BLK
LINE TO LINE INDUCTANCE	线电感	1.8±20% mH@1kHz	Feedback Info		
NOMINAL VOLTAGE	额定电压	48 VDC	Feedback device:2500ppr incremental optical encoder		
NO LOAD SPEED	空载转速	6800 ±10% RPM			
NO LOAD CURRENT	空载电流	0.21 A(ref)			
RATED TORQUE	额定转矩	160 mN.m	<p>PERMISSIBLE RADIAL+AXIAL FORCE</p>		
RATED SPEED	额定转速	3000 RPM			
RATED CURRENT	额定电流	2.1 A			
PEAK TORQUE	峰值扭矩	480 mN.m			
PEAK CURRENT	峰值电流	6.3 A			
BACK EMF CONSTANT	反电势常数	5 Vrms/kRPM			
TORQUE CONSTANT	转矩常数	83 mN.m/A			
INSULATION CLASS	绝缘等级	F 155°C			
DIELECTRIC STRENG	介电强度	600VAC ISEC			
INSULATION RESIST	绝缘电阻	100MOhm @500VDC			
ROTOR INERTIA	转子转动惯量	0.024X10 <sup>-4</sup> Kg.m <sup>2</sup>	AXIAL-FORCE	轴向压力	Fa=59 N Max
WEIGHT	重量	0.4 Kg	DISTANCE	距离	a=12.5 mm
OPERATION AMBIENT	使用环境	Ambient temperature:-20...+50°C, humidity Max.85%(No condensation)			
STORAGE AMBIENT	存储环境	Ambient temperature:-20...+85°C, humidity Max.85%(No condensation)			

REV	ECN NO.	DESCRIPTION	DESIGN	DATE	P/N.	TITLE	SPECIFICATIONS
UNLESS OTHERWISE SPECIFIED		MATERIAL	CONTR.	CHECK	USED ON		
TOLERANCES:					FL38SV05-48V-30EA1		
DECIMALS:					DWG NO.		
.X ±0.5					REV		
.XX ±0.25					A		
.XXX ±0.1					FULLING MOTOR		
UNIT: mm		FIRST ANGLE PROJECTION			SCALE 1:1		
DO NOT SCALE DRAWING					SHEET 1 OF 1		