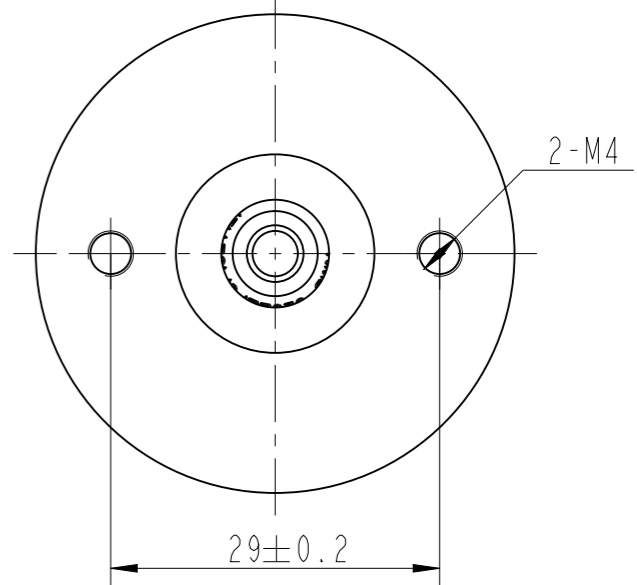
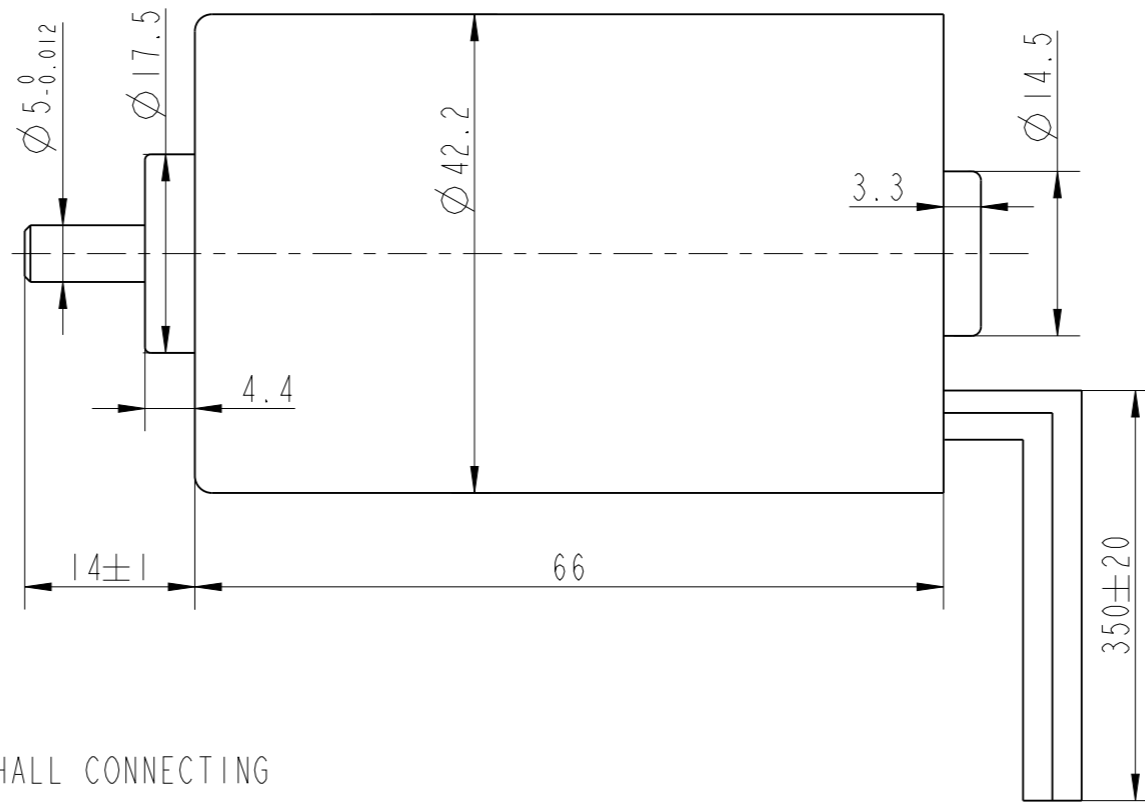
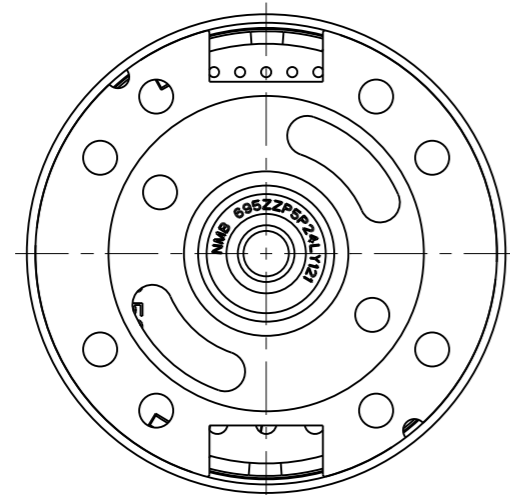
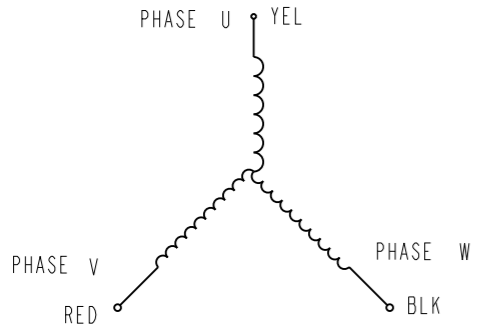


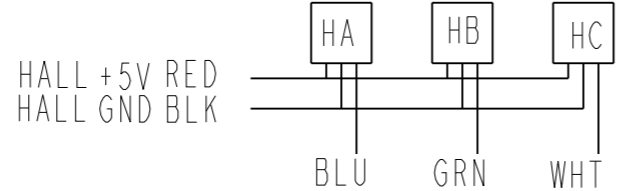
REV	ECN	NO	DESCRIPTION	DRN	APP'D	DATE



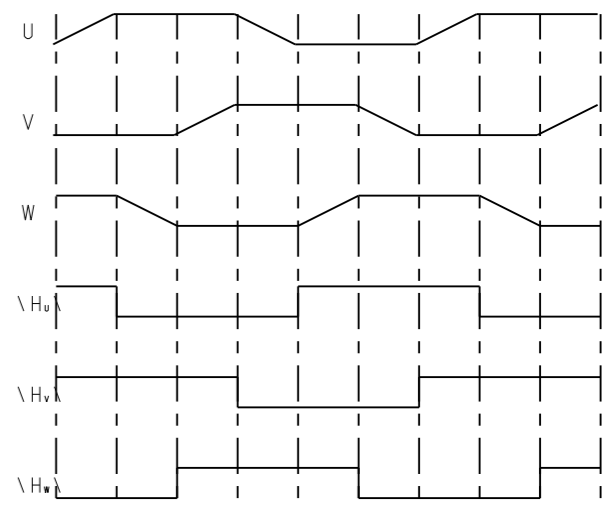
THREE-PHASE CONNECTING
STAR CONNECTION



HALL CONNECTING



CW COMMUTATION
VIEWED FROM OUTPUT SHAFT



NUMBER OF PHASE	绕组相数	3	Wires for Phases UL1332 AWG22			
NUMBER OF POLES	极数	8	PHASE U	PHASE V	PHASE W	
LINE TO LINE RESISTANCE	线电阻	0.75±10% ohms@20°C	YEL	RED	BLK	
LINE TO LINE INDUCTANCE	线电感	0.8±20% mH@1kHz	Wires for Hall UL1430 AWG26			
NOMINAL VOLTAGE	额定电压	24 VDC	HALL Vc	Hu	Hv	Hw
NO LOAD SPEED	空载转速	5600±10% RPM	RED	BLU	GRN	WHT
NO LOAD CURRENT	空载电流	<0.4 A				HALL Gnd
RATED TORQUE	额定转矩	0.15 N.m				BLK
RATED SPEED	额定转速	4000±10% RPM	<p>PERMISSIBLE RADIAL+AXIAL FORCE</p>			
RATED CURRENT	额定电流	3.75 A				
PEAK TORQUE	峰值扭矩	0.45 N.m				
PEAK CURRENT	峰值电流	11.2 A				
BACK EMF CONSTANT	反电势常数	3±10% Vrms/kRPM				
TORQUE CONSTANT	转矩常数	40.5±10% N.m/A	AXIAL-FORCE	轴向压力	Fa=15 N Max	
INSULATION CLASS	绝缘等级	B 130°C	DISTANCE	距离	a=10 mm	
DIELECTRIC STRENG	介电强度	650VAC ISEC	RADIAL-FORCE	径向压力	Fr=10 N Max	
INSULATION RESIST	绝缘电阻	100MOhm @500VDC	SHAFT RADIAL PLAY	径向间隙	0.02mm Max.@4N	
ROTOR INERTIA	转子转动惯量	55 g.cm²	SHAFT AXIAL PLAY	轴向间隙	0.14mm Max.@4N	
WEIGHT	重量	0.44Kg				
OPERATION AMBIENT	使用环境	Ambient temperature:-20...+50°C, humidity Max.85%(No condensation)				
STORAGE AMBIENT	存储环境	Ambient temperature:-10...+85°C, humidity Max.85%(No condensation)				

A		DESIGN	DATE	P/N.	3.1.02.042.
REV	ECN NO.	DESCRIPTION		TITLE	SPECIFICATIONS
UNLESS OTHERWISE SPECIFIED		MATERIAL	CONTR.	CHECK	
TOLERANCES:				APPD	USED ON
DECIMALS:	ANGULAR:				FL42CBL66-24V-4063A
.X ±0.5	±0°30'				DWG NO.
.XX ±0.25					REV
.XXX ±0.1					A
UNIT: mm	FIRST ANGLE PROJECTION	SCALE	3:2	FULLING MOTOR	
DO NOT SCALE DRAWING		SHEET	1 OF 1		