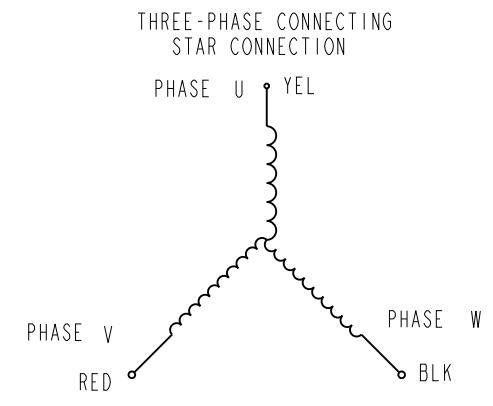
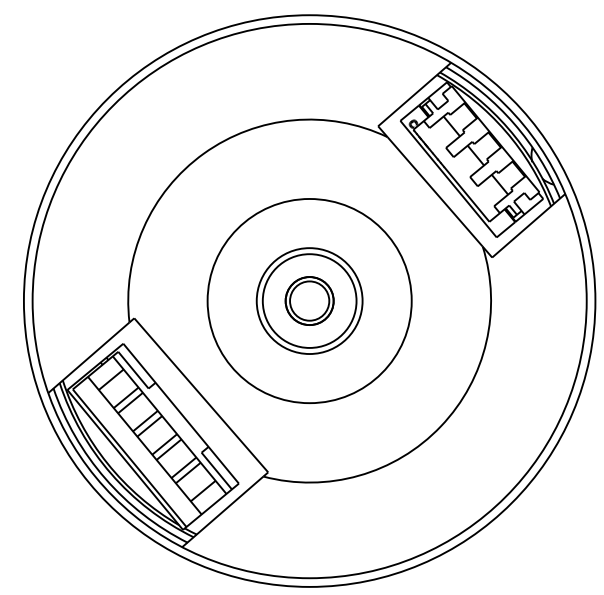
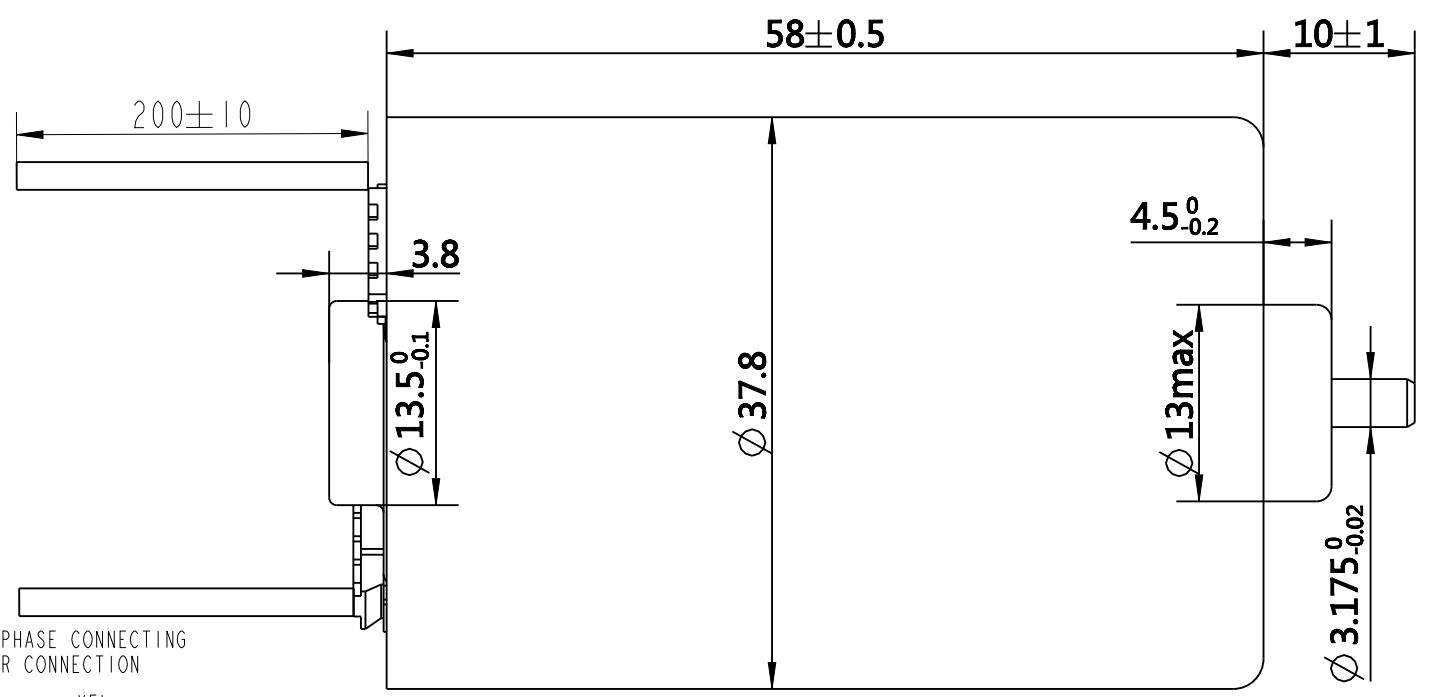
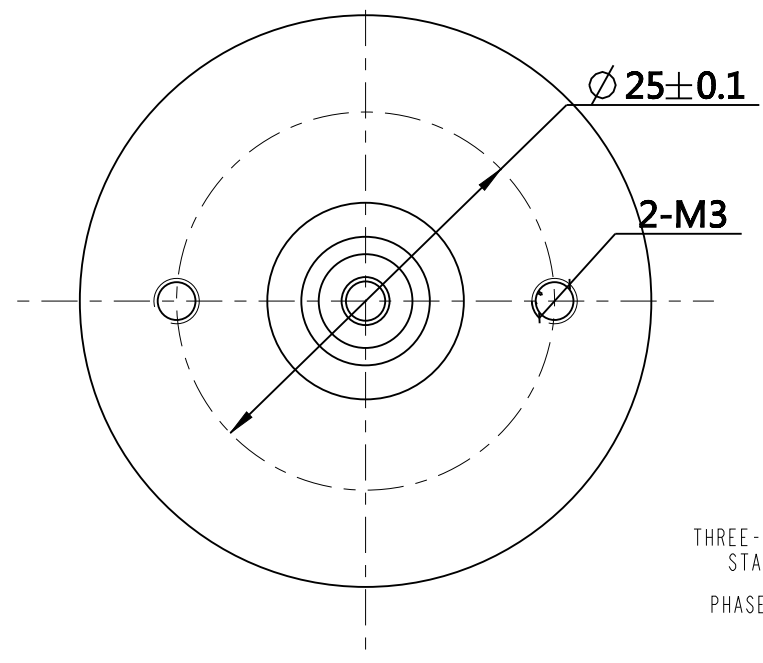
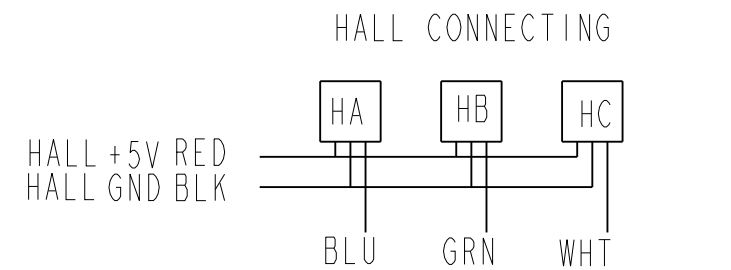
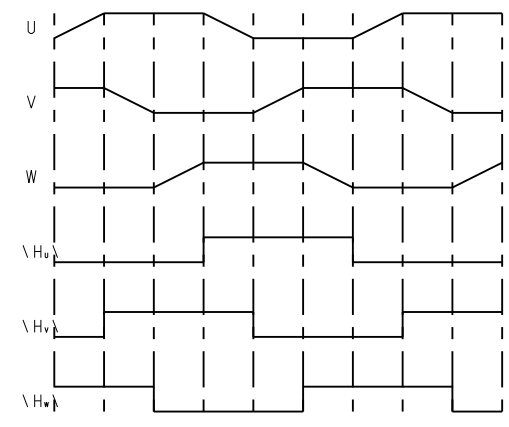


REV	ECN	NO	DESCRIPTION	DRN	APP'D	DATE



CW COMMUTATION VIEWED FROM OUTPUT SHAFT



NUMBER OF PHASE	绕组相数	3	Wires for Phases ULI430 AWG22		
NUMBER OF POLES	极数	4	PHASE U	PHASE V	PHASE W
LINE TO LINE RESISTANCE	线电阻	2.0±10% ohms@20°C	YEL	RED	BLK
LINE TO LINE INDUCTANCE	线电感	1.5±20% mH@1kHz	Wires for HALL ULI430 AWG26		
NOMINAL VOLTAGE	额定电压	24 VDC	HALL V _{cc}	H _u	H _v
NO LOAD SPEED	空载转速	5000±10% RPM	RED	BLU	GRN
NO LOAD CURRENT	空载电流	0.2 A REF	H _w	H _w	HALL G _{nd}
RATED TORQUE	额定转矩	70 mN.m	WHT	BLK	
RATED SPEED	额定转速	4000±10% RPM	PERMISSIBLE RADIAL+AXIAL FORCE		
RATED CURRENT	额定电流	1.7 A			
PEAK TORQUE	峰值转矩	210 mN.m	<p>AXIAL-FORCE 轴向压力 Fa=10 N Max</p> <p>DISTANCE 距离 a=10 mm</p> <p>RADIAL-FORCE 径向压力 Fr=28 N Max</p> <p>SHAFT RADIAL PLAY 径向间隙 0.02mm Max. @4N</p> <p>SHAFT AXIAL PLAY 轴向间隙 0.14mm Max. @4N</p>		
PEAK CURRENT	峰值电流	5.1 A			
BACK EMF CONSTANT	反电势常数	3.5±10% V _{rms} /krPM			
TORQUE CONSTANT	转矩常数	44±10% mN.m/A			
INSULATION CLASS	绝缘等级	B 130°C			
DIELECTRIC STRENG	介电强度	600VAC ISEC			
INSULATION RESIST	绝缘电阻	100MΩm @500VDC			
ROTOR INERTIA	转子转动惯量	16g.cm ²			
WEIGHT	重量	0.24Kg REF			
OPERATION AMBIENT	使用环境	Ambient temperature:-20...+50°C, humidity Max.85%(No condensation)			
STORAGE AMBIENT	存储环境	Ambient temperature:-10...+85°C, humidity Max.85%(No condensation)			

DESIGN	DATE	P/N.	3.1.02.038.0002
REV	ECN NO.	DESCRIPTION	TITLE specifications
UNLESS OTHERWISE SPECIFIED TOLERANCES:		MATERIAL	CONTR.
DECIMALS:	ANGULAR:	CHECK	USED ON FL38CBL58-24V-4030A
.X ±0.5	±0°30'	APPD	DWG NO.
.XX ±0.25			REV A
.XXX ±0.1			
UNIT: mm	FIRST ANGLE PROJECTION	SCALE 2:1	FULLING MOTOR
DO NOT SCALE DRAWING		SHEET 1 OF 1	