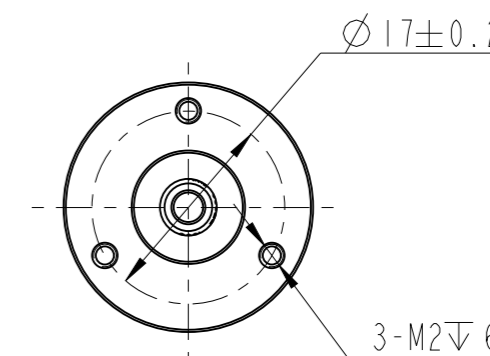
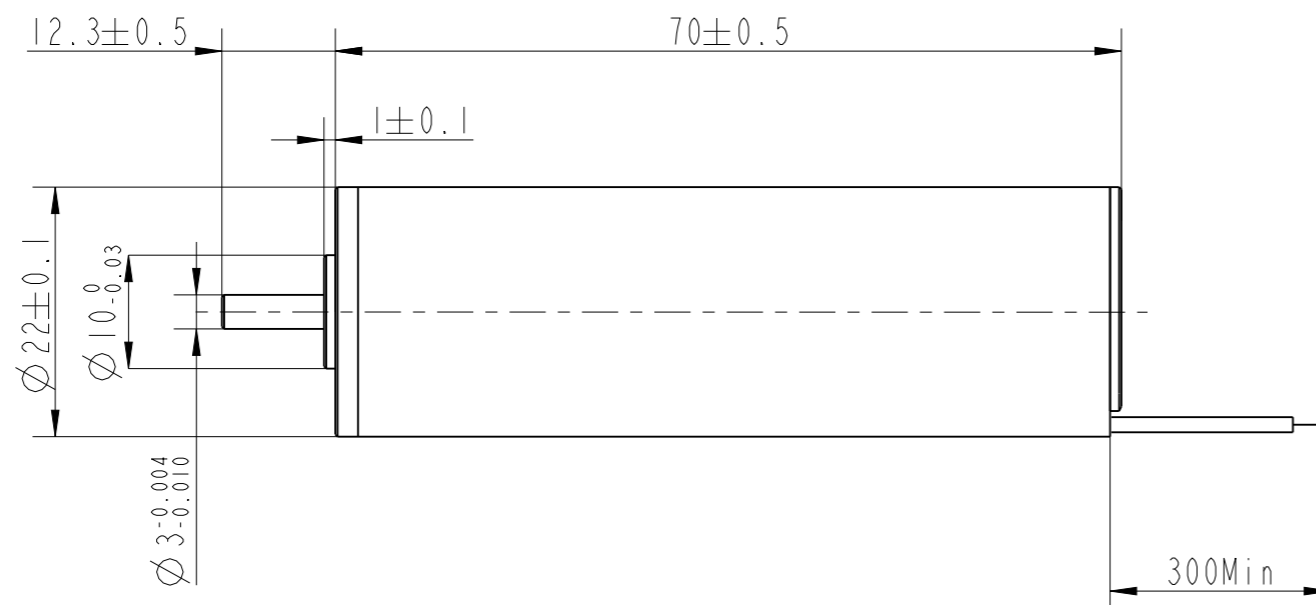


REV	ECN NO	DESCRIPTION	DRN	APP'D	DATE



NUMBER OF PHASE	绕组相数	3	Wires for Phases UL1430 AWG22				
NUMBER OF POLES	极数	2	PHASE U	PHASE V	PHASE W		
LINE TO LINE RESISTANCE	线电阻	0.75±10% ohms@20°C	YEL	RED	BLK		
LINE TO LINE INDUCTANCE	线电感	0.07±20% mH@1kHz	Wires for Hall UL1430 AWG26				
NOMINAL VOLTAGE	额定电压	24 VDC	HALL Vc	Hu	Hv	Hw	HALL Gnd
NO LOAD SPEED	空载转速	30000±10% RPM	RED	BLU	GRN	WHT	BLK
NO LOAD CURRENT	空载电流	0.35±20%(AT25°C)	PERMISSIBLE RADIAL+AXIAL FORCE				
RATED TORQUE	额定转矩	25 mN.m					
RATED SPEED	额定转速	22000±10% RPM					
RATED CURRENT	额定电流	3.5 A					
PEAK TORQUE	峰值转矩	50 mN.m					
PEAK CURRENT	峰值电流	10.5 A					
BACK EMF CONSTANT	反电势常数	0.55Vrms/krPM					
TORQUE CONSTANT	转矩常数	7.42±10% mN.m/A					
INSULATION CLASS	绝缘等级	B 130°C	AXIAL-FORCE	轴向压力	Fa=2 N Max		
DIELECTRIC STRENG	介电强度	360VAC 1S	DISTANCE	距离	a=5 mm		
INSULATION RESIST	绝缘电阻	100MΩm @500VDC	RADIAL-FORCE	径向压力	Fr=5 N Max		
ROTOR INERTIA	转子转动惯量	4.5g.cm ²	SHAFT RADIAL PLAY	径向间隙	0.02mm Max.@4N		
WEIGHT	重量	0.2Kg	SHAFT AXIAL PLAY	轴向间隙	0.14mm Max.@4N		
OPERATION AMBIENT	使用环境	Ambient temperature:-25...+40°C, humidity Max.85%(No condensation)					
STORAGE AMBIENT	存储环境	Ambient temperature:-10...+35°C, humidity Max.85%(No condensation)					

REV	ECN NO.	DESCRIPTION	DESIGN	DATE	P/N.
					3.1.08.022.***
UNLESS OTHERWISE SPECIFIED		MATERIAL	CONTR.	CHECK	TITLE
TOLERANCES:					电机
DECIMALS:					USED ON
.X ±0.5					FL22SBL70-24V-300-50A
.XX ±0.25					DWG NO.
.XXX ±0.1					REV
UNIT: mm		FIRST ANGLE PROJECTION	SCALE 1:1	FULLING MOTOR	
DO NOT SCALE DRAWING			SHEET 1 OF 2		