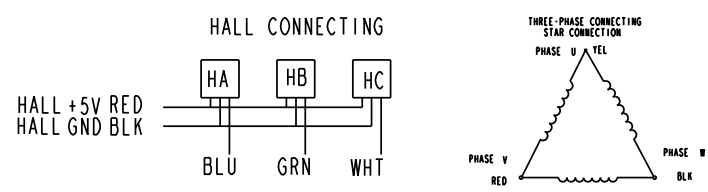
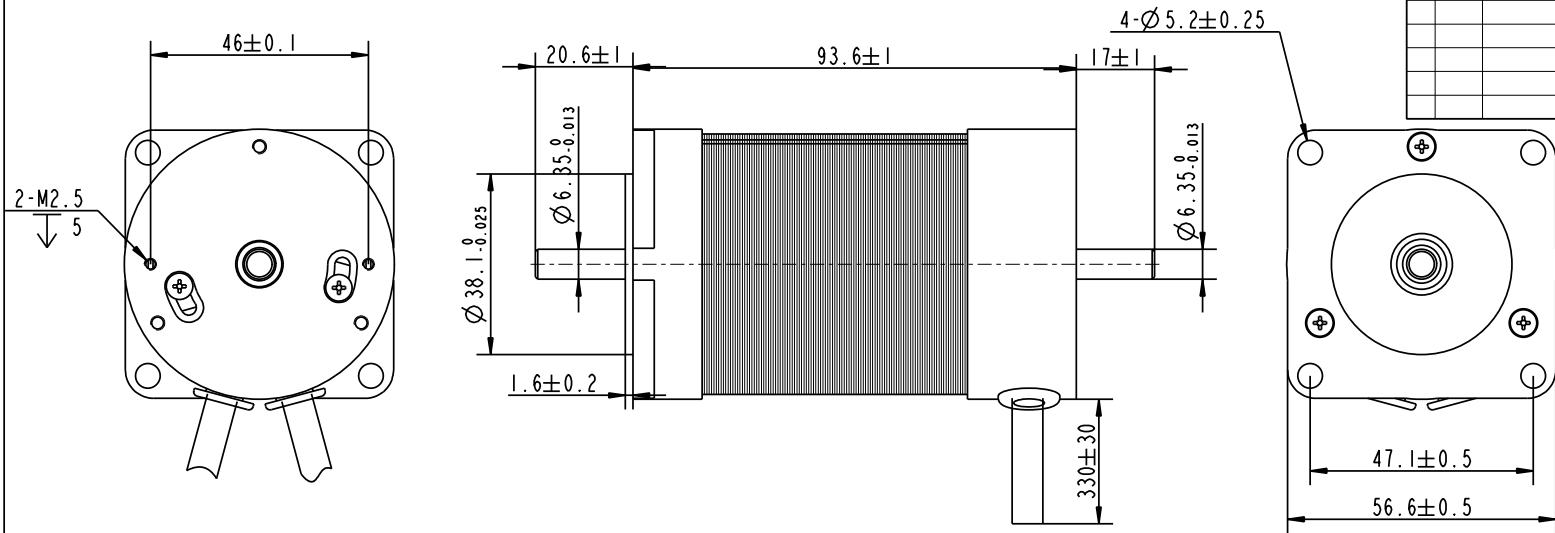
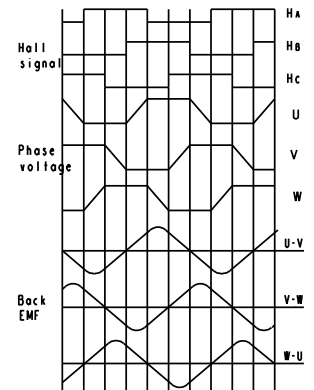


REV	ECN	NO	DESCRIPTION	DRN	APP'D	DATE



CW from shaft side



NUMBER OF PHASE	绕组相数	3	Wires for Phases ULI430 AWG20				
NUMBER OF POLES	极数	4	PHASE U		PHASE V		PHASE W
LINE TO LINE RESISTANCE	线电阻	0.45±10% ohms@20°C	YEL		RED		BLK
LINE TO LINE INDUCTANCE	线电感	1.5±20% mH@1kHz	Wires for Hall ULI430 AWG26				
NOMINAL VOLTAGE	额定电压	36 VCD	HALL Vc	Hu	Hv	Hw	HALL Gnd
NO LOAD SPEED	空载转速	5400±10% RPM	RED	BLU	GRN	WHT	BLK
NO LOAD CURRENT	空载电流	<0.6 A	PERMISSIBLE RADIAL+AXIAL FORCE 				
RATED TORQUE	额定转矩	0.33 N.m					
RATED SPEED	额定转速	4000±10% RPM	AXIAL-FORCE 轴向压力 Fa=10 N Max				
RATED CURRENT	额定电流	5.2 A	DISTANCE 距离 a=10 mm				
PEAK TORQUE	峰值转矩	0.66 N.m	RADIAL-FORCE 径向压力 Fr=28 N Max				
PEAK CURRENT	峰值电流	15.6 A	SHAFT RADIAL PLAY 径向间隙 0.02mm Max. @4N				
BACK EMF CONSTANT	反电势常数	4.8 Vrms/kRPM	SHAFT AXIAL PLAY 轴向间隙 0.14mm Max. @4N				
TORQUE CONSTANT	转矩常数	0.063 N.m/A	OPERATION AMBIENT 使用环境 Ambient temperature:-25...+40°C, humidity Max.85%(No condensation)				
INSULATION CLASS	绝缘等级	B 130°C	STORAGE AMBIENT 存储环境 Ambient temperature:-10...+35°C, humidity Max.85%(No condensation)				
DIELECTRIC STRENG	介电强度	600VAC 1SEC					
INSULATION RESIST	绝缘电阻	100MΩ @500VDC					
ROTOR INERTIA	转子转动惯量	g.cm²					
WEIGHT	重量	0.95Kg					

A	REV	ECN NO.	DESCRIPTION	DESIGN	DATE	P7/N.	3.1.02.057.0008
UNLESS OTHERWISE SPECIFIED TOLERANCES:			MATERIAL	CONTR.	CHECK	TITLE	整机图
DECIMALS:	.X	±0.5				USED ON	FL57BLS03
	.XX	±0.25				DWG NO.	
	.XXX	±0.1					REV A
UNIT: mm	FIRST ANGLE PROJECTION		SCALE	1:2	FULLING MOTOR		
DO NOT SCALE DRAWING			SHEET	1 OF 1			