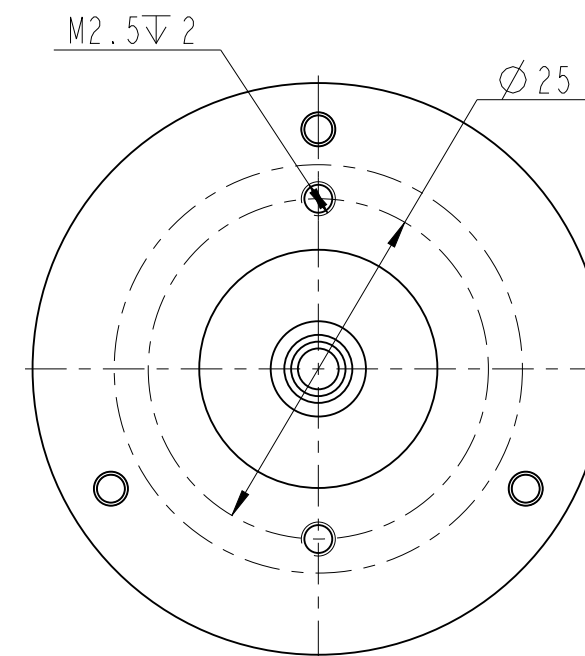
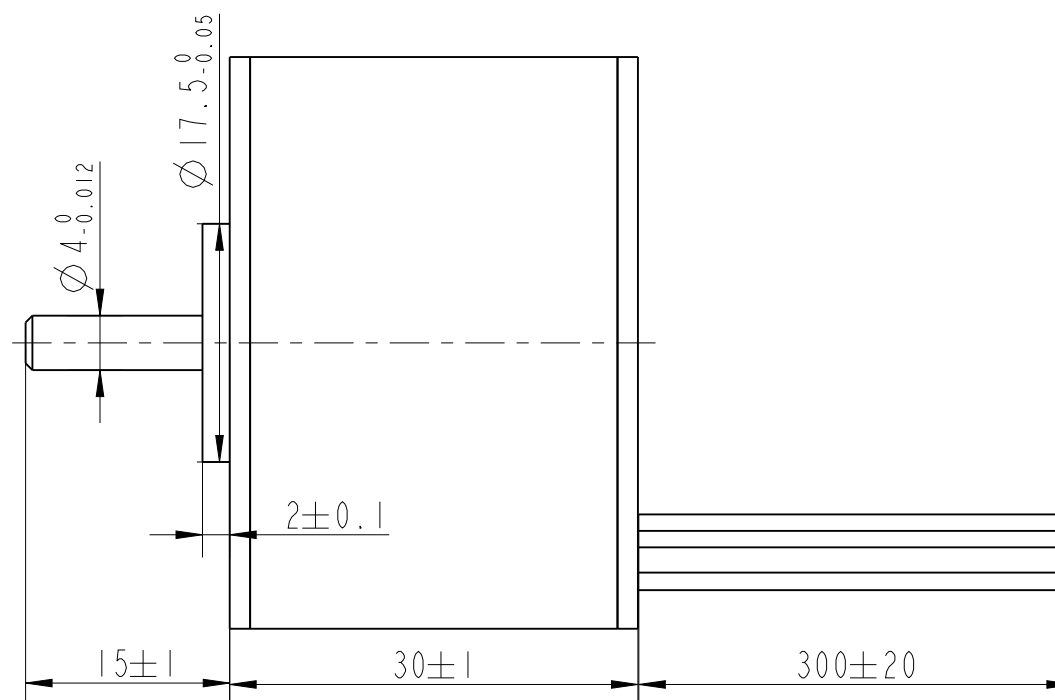
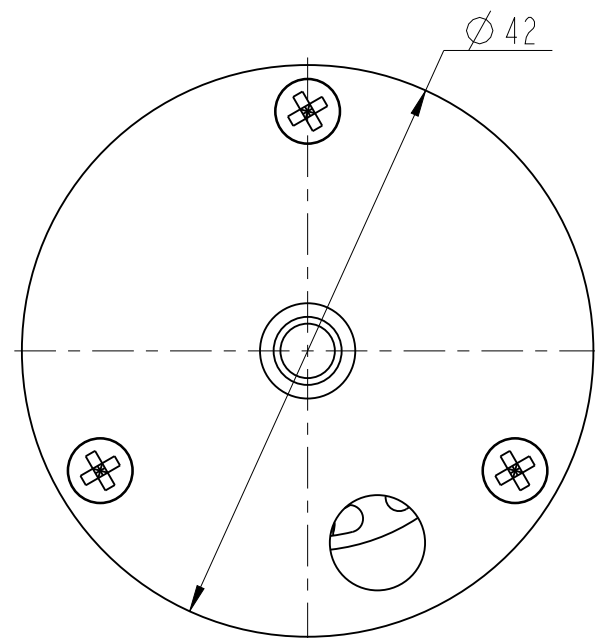
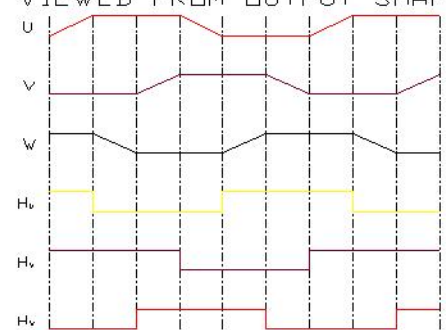


REV	ECN	NO	DESCRIPTION	DRN	APP'D	DATE

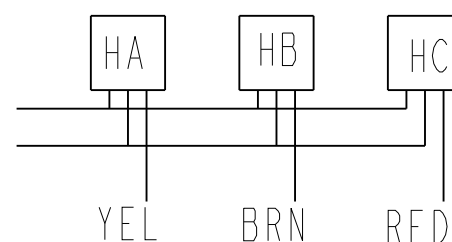


CW COMMUTATION
VIEWED FROM OUTPUT SHAFT

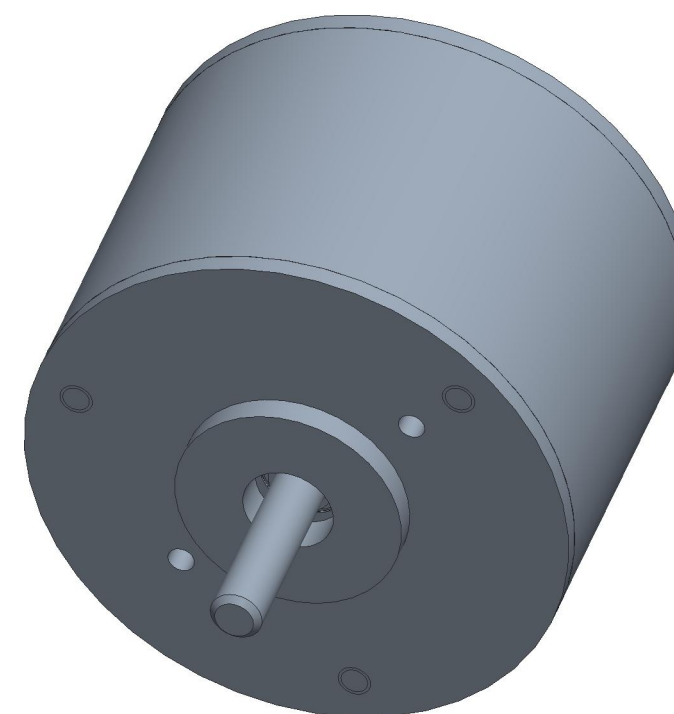
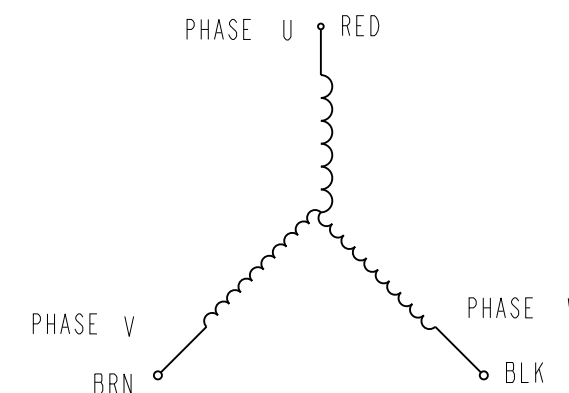


HALL CONNECTING

HALL +5V BLU
HALL GND GRN



THREE-PHASE CONNECTING
STAR CONNECTION



NUMBER OF PHASE	绕组相数	3	Wires for Phases UL1007 AWG22				
NUMBER OF POLES	极数	8	PHASE U	PHASE V	PHASE W		
LINE TO LINE RESISTANCE	线电阻	5.9±10% ohms@20°C	RED	BRN	BLK		
LINE TO LINE INDUCTANCE	线电感	5.1±20% mH@1kHz	Wires for Hall UL1007 AWG26				
NOMINAL VOLTAGE	额定电压	24 VDC	HALL Vc	Hu	Hv	Hw	HALL Gnd
NO LOAD SPEED	空载转速	5500±10% RPM	BLU	YEL	BRN	RED	GRN
NO LOAD CURRENT	空载电流	<0.4 A	<p>PERMISSIBLE RADIAL+AXIAL FORCE</p>				
RATED TORQUE	额定转矩	20 mN.m					
RATED SPEED	额定转速	4000 RPM					
RATED CURRENT	额定电流	0.5 A					
PEAK TORQUE	峰值扭矩	60 mN.m					
PEAK CURRENT	峰值电流	1.5 A					
BACK EMF CONSTANT	反电势常数	2.95±10% Vrms/kRPM					
TORQUE CONSTANT	转矩常数	39.8±10% mN.m/A					
INSULATION CLASS	绝缘等级	B 130°C					
DIELECTRIC STRENGTH	介电强度	650VAC ISEC					
INSULATION RESIST	绝缘电阻	100MΩm @500VDC	DISTANCE	距离	a=10 mm		
ROTOR INERTIA	转子转动惯量	15.6g.cm ²	RADIAL-FORCE	径向压力	Fr=28 N Max		
WEIGHT	重量	0.25Kg	SHAFT RADIAL PLAY	径向间隙	0.02mm Max. @4N		
OPERATION AMBIENT	使用环境	Ambient temperature:-20...+50°C, humidity Max.85%(No condensation)	SHAFT AXIAL PLAY	轴向间隙	0.14mm Max. @4N		
STORAGE AMBIENT	存储环境	Ambient temperature:-10...+85°C, humidity Max.85%(No condensation)					

REV	ECN	NO	DESCRIPTION	DESIGN	DATE	P/N.	TITLE
						3.1.02.042.0265	
UNLESS OTHERWISE SPECIFIED			MATERIAL	CONTR.	CHECK	SPECIFICATIONS	
TOLERANCES:						USED ON	
DECIMALS:						FL42RBL30-24V-4009A-P	
ANGULAR:						DWG NO.	
UNIT: mm						REV	
DO NOT SCALE DRAWING						A	
FIRST ANGLE PROJECTION						FULLING MOTOR	
SCALE 9:5						SHEET 1 OF 1	