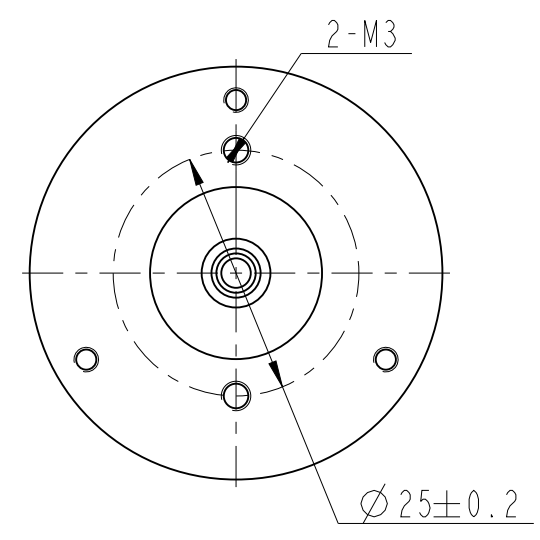
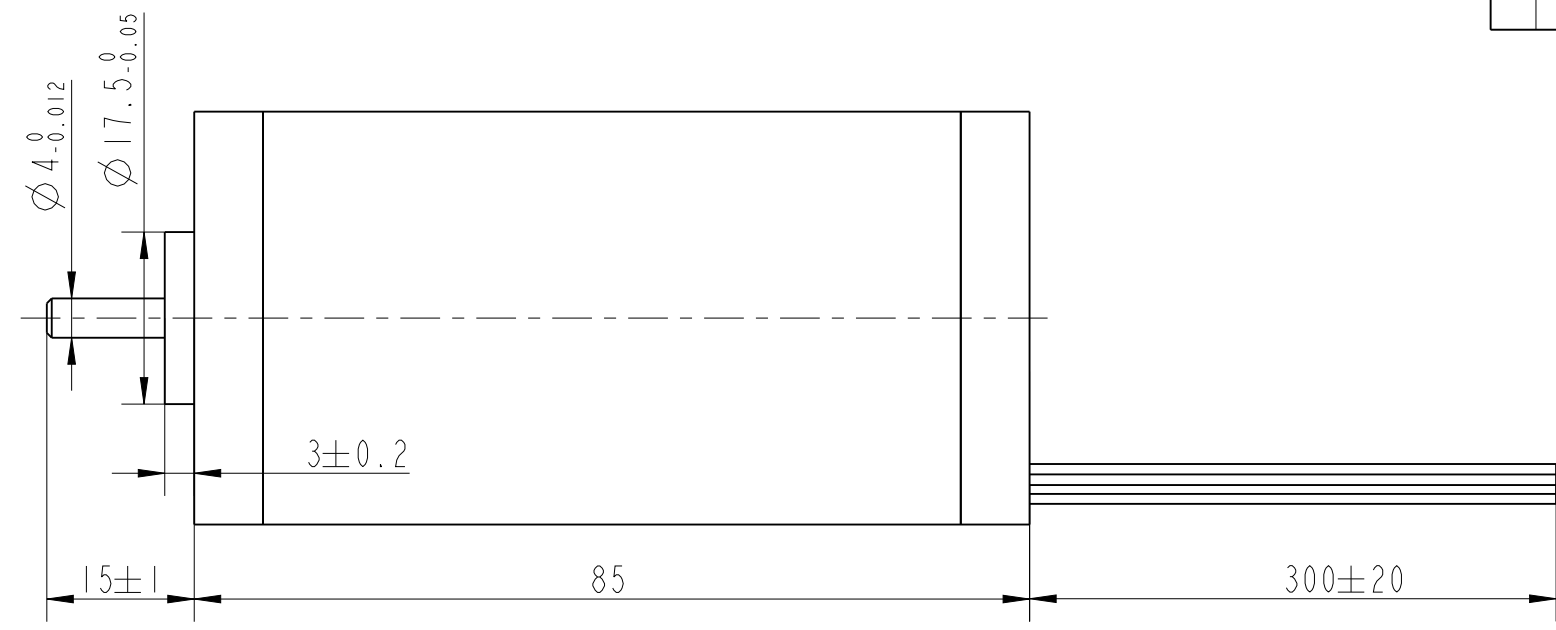
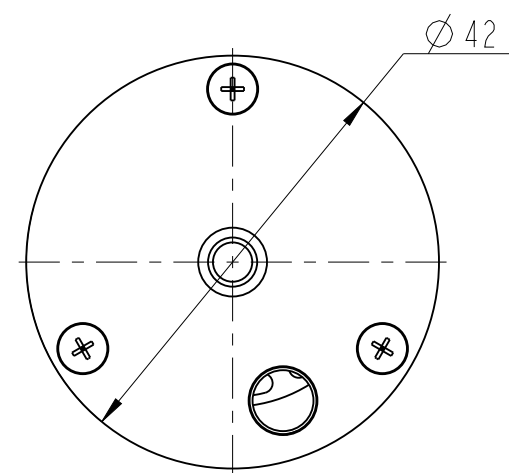
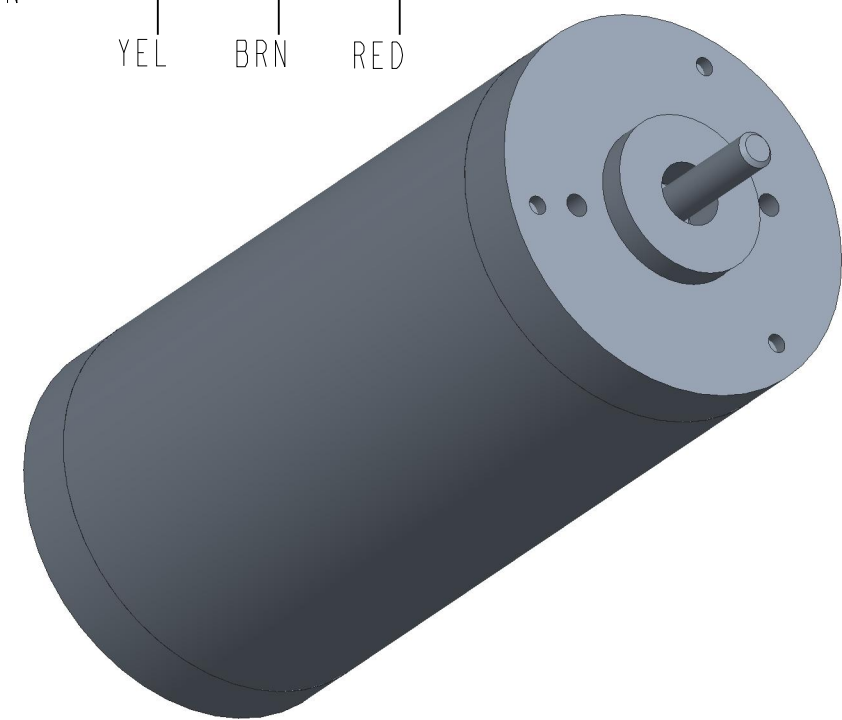
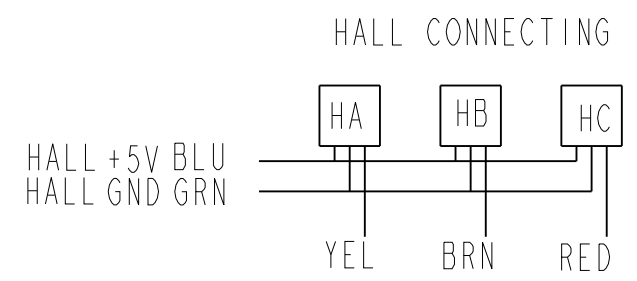
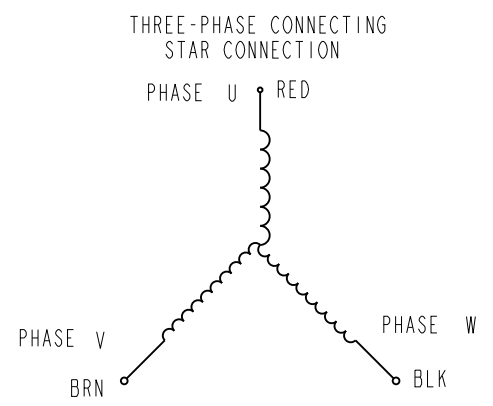
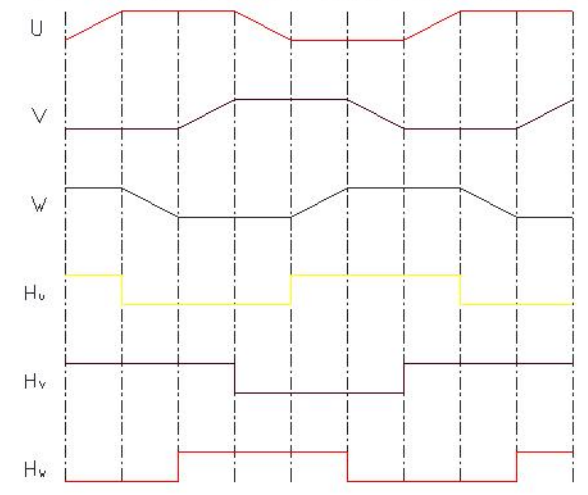


REV	ECN	NO	DESCRIPTION	DRN	APP'D	DATE



CW COMMUTATION
VIEWED FROM OUTPUT SHAFT



NUMBER OF PHASE	绕组相数	3	Wires for Phases UL1007 AWG22		
NUMBER OF POLES	极数	8	PHASE U	PHASE V	PHASE W
LINE TO LINE RESISTANCE	线电阻	0.71±10% ohms@20°C	RED	BRN	BLK
LINE TO LINE INDUCTANCE	线电感	0.86±20% mH@1kHz	Wires for Hall UL1007 AWG26		
NOMINAL VOLTAGE	额定电压	24 VDC	HALL Vc	Hu	Hv
NO LOAD SPEED	空载转速	5600±10% RPM	BLU	YEL	BRN
NO LOAD CURRENT	空载电流	<0.4 A	Hw	RED	HALL Gnd
RATED TORQUE	额定转矩	0.15 N.m	GRN		
RATED SPEED	额定转速	4000 RPM	PERMISSIBLE RADIAL+AXIAL FORCE 		
RATED CURRENT	额定电流	3.5 A			
PEAK TORQUE	峰值扭矩	0.45N.m			
PEAK CURRENT	峰值电流	10.5 A			
BACK EMF CONSTANT	反电势常数	3.06±10% Vrms/kRPM			
TORQUE CONSTANT	转矩常数	0.0405±10%N.m/A			
INSULATION CLASS	绝缘等级	B 130°C			
DIELECTRIC STRENG	介电强度	650VAC ISEC			
INSULATION RESIST	绝缘电阻	100MOhm @500VDC			
ROTOR INERTIA	转子转动惯量	58g.cm ²			
WEIGHT	重量	0.7Kg	AXIAL-FORCE	轴向压力	Fa=10 N Max
OPERATION AMBIENT	使用环境	Ambient temperature:-20...+50°C, humidity Max.85%(No condensation)	DISTANCE	距离	a=10 mm
STORAGE AMBIENT	存储环境	Ambient temperature:-10...+85°C, humidity Max.85%(No condensation)	RADIAL-FORCE	径向压力	Fr=28 N Max
			SHAFT RADIAL PLAY	径向间隙	0.02mm Max.@4N
			SHAFT AXIAL PLAY	轴向间隙	0.14mm Max.@4N

REV	ECN NO.	DESCRIPTION	DESIGN	DATE	P/N.	TITLE
A					3.1.02.042.0116	SPECIFICATIONS
UNLESS OTHERWISE SPECIFIED		MATERIAL	CONTR.	CHECK	USED ON	FL42RBL85-24V-4060A-P
TOLERANCES:					DWG NO.	REV A
DECIMALS:		ANGULAR:		APPD		
.X ±0.5		±0°30'				
.XX ±0.25						
.XXX ±0.1						
UNIT: mm		FIRST ANGLE PROJECTION		SCALE 13:10	FULLING MOTOR	
DO NOT SCALE DRAWING				SHEET 1 OF 1		