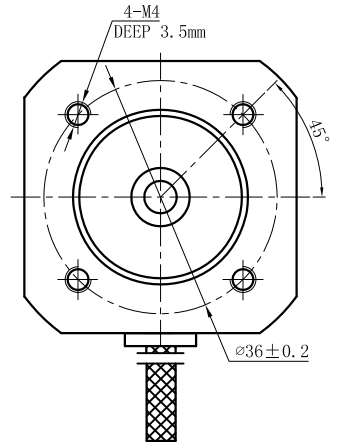
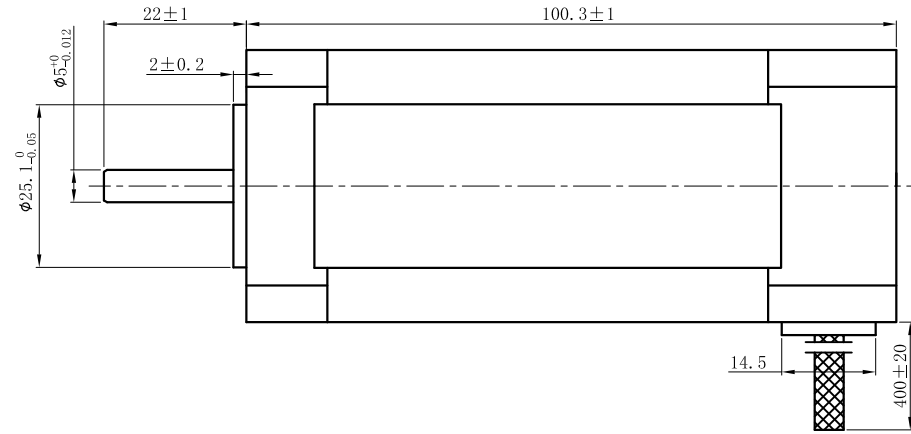
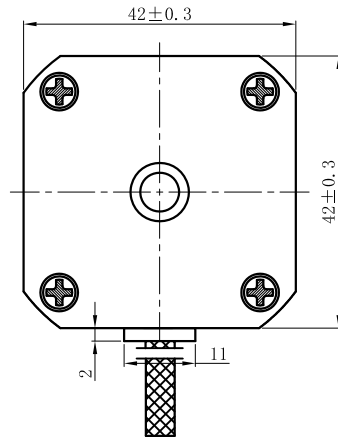
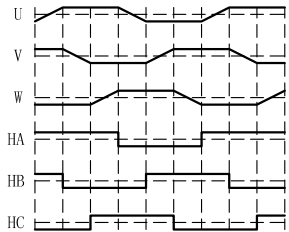


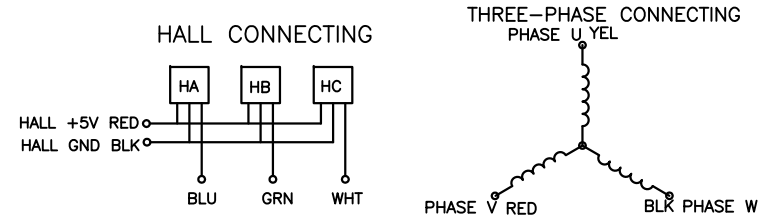
| REV | ECN NO. | DESCRIPTION | DRN | APPD | DATE |
|-----|---------|-------------|-----|------|------|
|     |         |             |     |      |      |
|     |         |             |     |      |      |



CCW COMMUTATION:  
VIEWED FROM OUTPUT SHAFT



|                         |       |                     |   |         |          |
|-------------------------|-------|---------------------|---|---------|----------|
| NUMBER OF PHASE         | 绕组相数  | 3                   | Wires for Phases UL1430 AWG20   |         |          |
| NUMBER OF POLES         | 极数    | 10                  | PHASE U   | PHASE V | PHASE W  |
| LINE TO LINE RESISANCE  | 线电阻   | 0.5 ± 10% ohms@20°C | YEL   | RED     | BLK      |
| LINE TO LINE INDUCTANCE | 线电感   | 0.44 ± 20% mH@1kHz  | Wires for HALL UL1430 AWG26   |         |          |
| NOMINAL VOLTAGE         | 额定电压  | 24 VDC              | HALL Vc   | Hu      | Hv       |
| NO LOAD SPEED           | 空载转速  | 4000 ± 10% RPM      | RED   | BLU     | GRN      |
| NO LOAD CURRENT         | 空载电流  | < 0.65 A            | WHT   | Hw      | HALL Gnd |
| RATED TORQUE            | 额定转矩  | 0.36 N.m            | PERMISSIBLE RADIAL+AXIAL FORCE  |         |          |
| RATED SPEED             | 额定转速  | 3000 ± 10% RPM      |   |         |          |
| RATED CURRENT           | 额定电流  | 5.8 A               |   |         |          |
| PEAK TORQUE             | 峰值转矩  | 1.08 N.m            | <b>AXIAL-FORCE</b> 轴向压力 <b>Fa=10 N Max</b><br><b>DISTANCE</b> 距离 <b>a=10 mm</b>   |         |          |
| PEAK CURRENT            | 峰值电流  | 17.5 A              | <b>RADIAL-FORCE</b> 径向压力 <b>Fr=28 N Max</b><br><b>SHAFT RADIAL PLAY</b> 径向间隙 <b>0.02mm Max.@4N</b><br><b>SHAFT AXIAL PLAY</b> 轴向间隙 <b>0.14mm Max.@4N</b>  |         |          |
| BACK EMF CONSTANT       | 反电势常数 | 4.6 ± 10% Vrms/kRPM | <b>INSULATION CLASS</b> 绝缘等级 B 130°C<br><b>DIELECTRIC STRENG</b> 介电强度 600VAC 1SEC<br><b>INSULATION RESIST</b> 绝缘电阻 100M0hm @500VDC<br><b>ROTOR INERTIA</b> 转子转动惯量 207 g.cm <sup>2</sup><br><b>WEIGHT</b> 重量 0.85 Kg |         |          |
| TORQUE CONSTANT         | 转矩常数  | 0.062 N.m/A         | <b>OPERATION AMBIENT</b> 使用环境 Ambient temperature:-20...+50° C, humidity Max. 85%(No condensation)<br><b>STORAGE AMBIENT</b> 存储环境 Ambient temperature:-20...+85° C, humidity Max. 85%(No condensation)              |         |          |



| REV                        | ECN NO.                | DESCRIPTION  | DESIGN        | DATE  | P/N.                 |
|----------------------------|------------------------|--------------|---------------|-------|----------------------|
|                            |                        |              |               |       |                      |
| UNLESS OTHERWISE SPECIFIED |                        | MATERIAL     | CONTR         | CHECK | TITLE Specifications |
| TOLERANCES                 |                        |              |               |       | USED ON FL42BLA04    |
| DECIMALS:                  | ANGULAR:               |              |               | APPD  | DWG NO.              |
| .x ±0.5                    | ±0° 30'                |              |               |       | REV A                |
| .xx ±0.25                  |                        |              |               |       |                      |
| .xxx ±0.1                  |                        |              |               |       |                      |
| UNIT: mm                   | FIRST ANGLE PROJECTION | SCALE 1:1    | FULLING MOTOR |       |                      |
| DO NOT SCALE DRAWING       |                        | SHEET 1 OF 1 |               |       |                      |