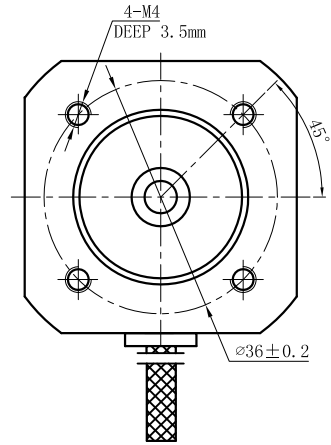
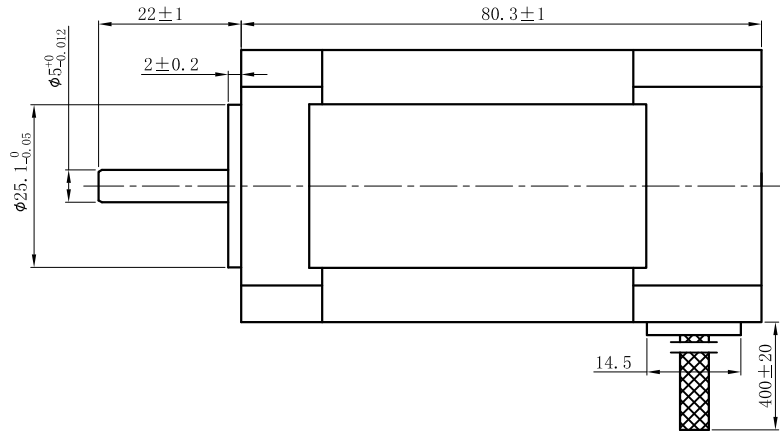
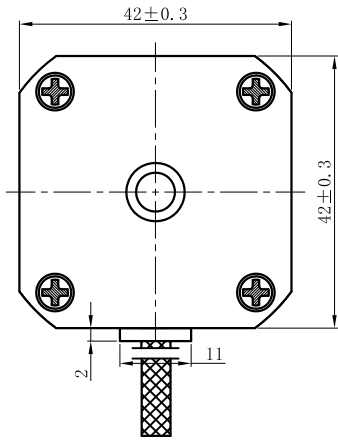
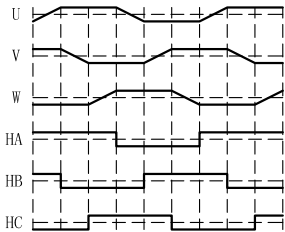


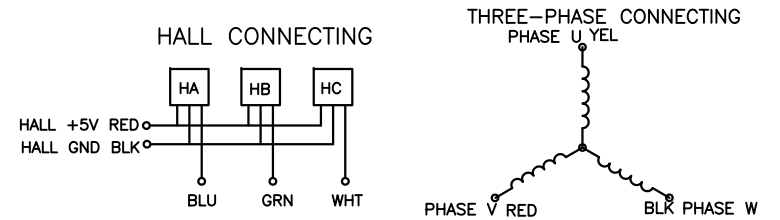
REV	ECN NO.	DESCRIPTION	DRN	APPD	DATE



CCW COMMUTATION:  
VIEWED FROM OUTPUT SHAFT



NUMBER OF PHASE	绕组相数	3	Wires for Phases UL1430 AWG20		
NUMBER OF POLES	极数	10	PHASE U	PHASE V	PHASE W
LINE TO LINE RESISANCE	线电阻	0.7 ± 10% ohms@20°C	YEL	RED	BLK
LINE TO LINE INDUCTANCE	线电感	0.58 ± 20% mH@1kHz	Wires for HALL UL1430 AWG26		
NOMINAL VOLTAGE	额定电压	24 VDC	HALL Vc	Hu	Hv
NO LOAD SPEED	空载转速	4000 ± 10% RPM	RED	BLU	GRN
NO LOAD CURRENT	空载电流	< 0.5 A	WHT	WHT	BLK
RATED TORQUE	额定转矩	0.26 N.m	PERMISSIBLE RADIAL+AXIAL FORCE		
RATED SPEED	额定转速	3000 ± 10% RPM			
RATED CURRENT	额定电流	4.3 A			
PEAK TORQUE	峰值转矩	0.78 N.m	BEARING (轴承)		
PEAK CURRENT	峰值电流	13 A	BEARING (轴承)		
BACK EMF CONSTANT	反电势常数	4.5 ± 10% Vrms/kRPM	AXIAL-FORCE 轴向压力 Fa=10 N Max		
TORQUE CONSTANT	转矩常数	0.06 N.m/A	DISTANCE 距离 a=10 mm		
INSULATION CLASS	绝缘等级	B 130°C	RADIAL-FORCE 径向压力 Fr=28 N Max		
DIELECTRIC STRENG	介电强度	600VAC 1SEC	SHAFT RADIAL PLAY 径向间隙 0.02mm Max.Ø4N		
INSULATION RESIST	绝缘电阻	100M0hm @500VDC	SHAFT AXIAL PLAY 轴向间隙 0.14mm Max.Ø4N		
ROTOR INERTIA	转子转动惯量	154 g.cm²	OPERATION AMBIENT 使用环境 Ambient temperature:-20...+50° C, humidity Max. 85%(No condensation)		
WEIGHT	重量	0.65 Kg	STORAGE AMBIENT 存储环境 Ambient temperature:-20...+85° C, humidity Max. 85%(No condensation)		



REV	ECN NO.	DESCRIPTION	DESIGN	DATE	P/N.
UNLESS OTHERWISE SPECIFIED		MATERIAL	CONTR	CHECK	TITLE Specifications
TOLERANCES					USED ON FL42BLA03
DECIMALS:	ANGULAR:				DWG NO.
.x ±0.5	±0° 30'				REV A
.xx ±0.25					
.xxx ±0.1					
UNIT: mm	FIRST ANGLE PROJECTION	SCALE 1:1	FULLING MOTOR		
DO NOT SCALE DRAWING		SHEET 1 OF 1			