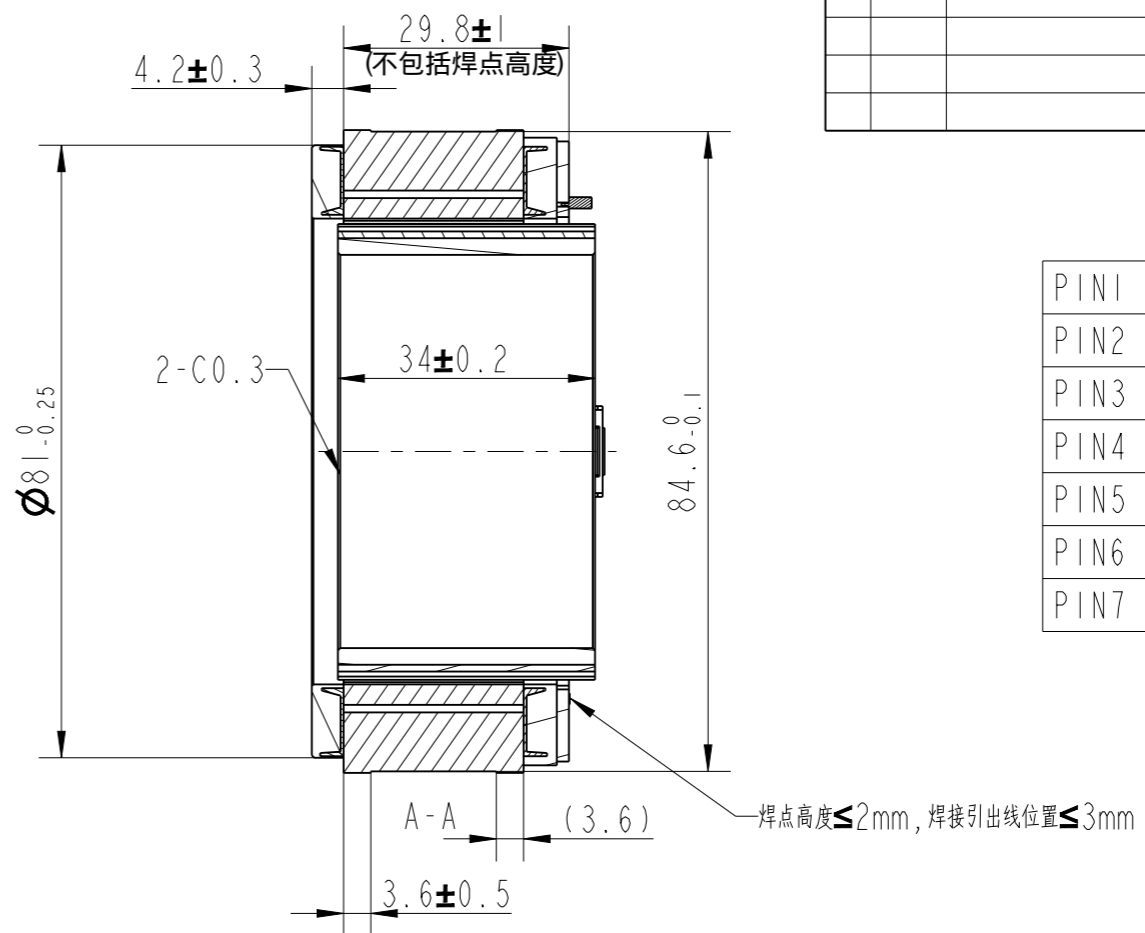
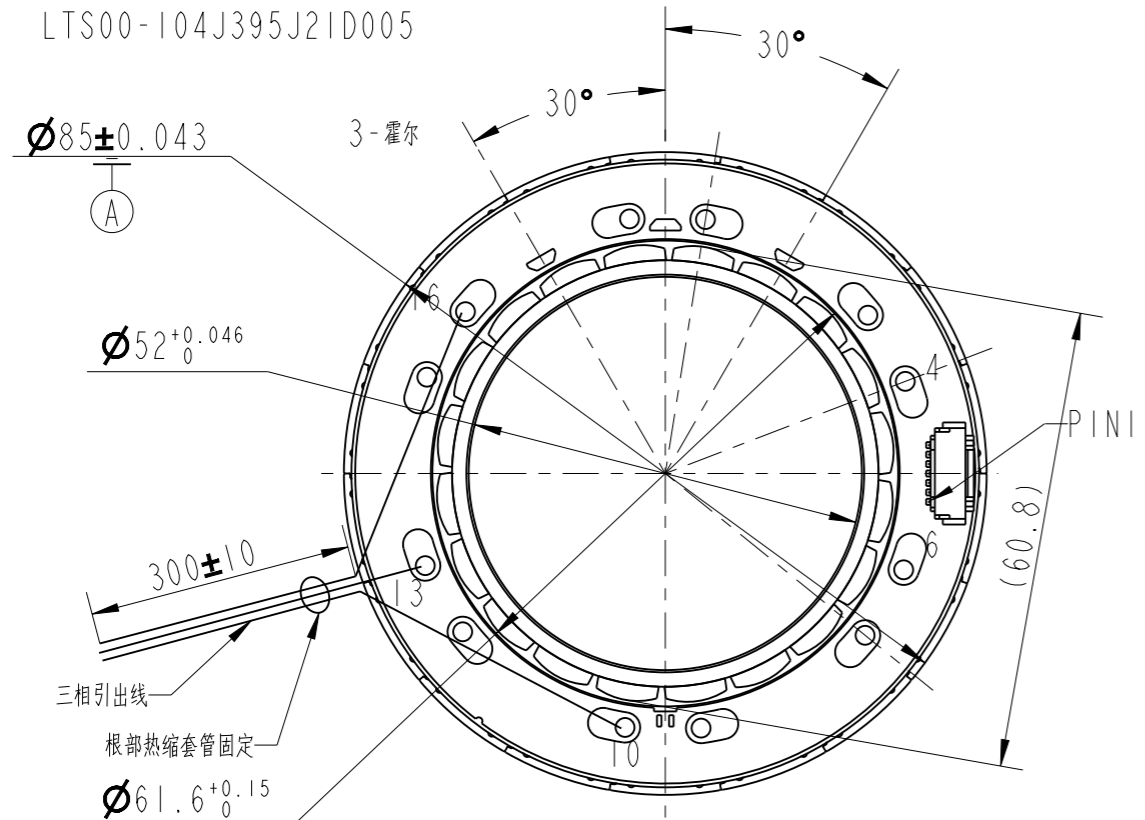


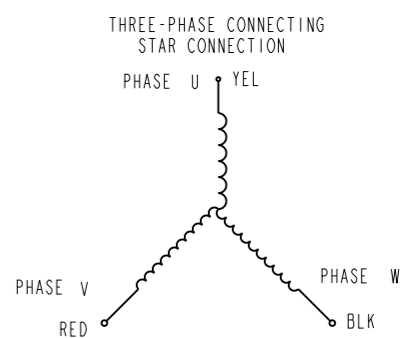
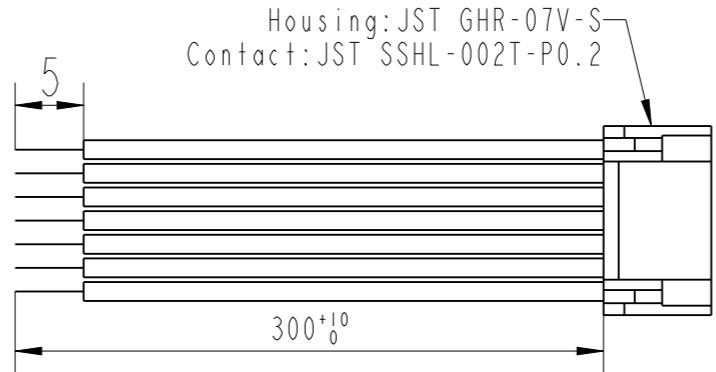
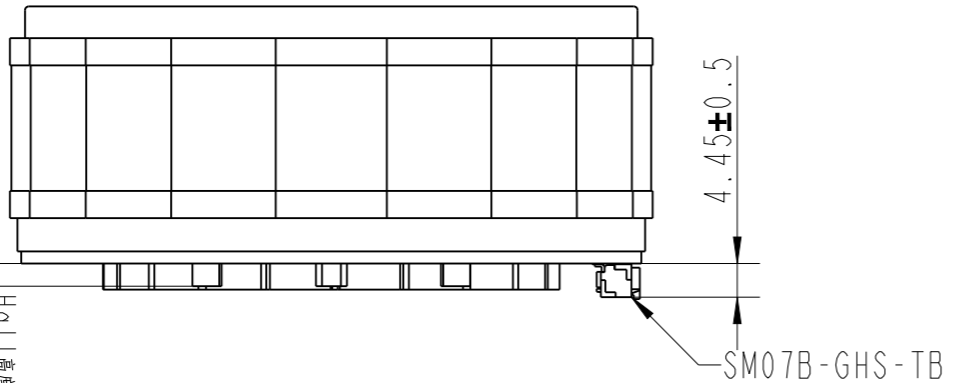
REV	ECN	NO	DESCRIPTION	DRN	APP'D	DATE

热敏型号:  
LTS00-104J395J21D005



PIN1	NTC2
PIN2	NTC1
PIN3	GND
PIN4	Ha
PIN5	Hb
PIN6	Hc
PIN7	Vcc

焊点高度 ≤ 2mm, 焊接引出线位置 ≤ 3mm



NUMBER OF PHASE	绕组相数	3	Wires for Phases UL1332 AWG16		
NUMBER OF POLES	极数	20	PHASE U	PHASE V	PHASE W
LINE TO LINE RESISTANCE	线电阻	0.09±10%ohms@20°C	YEL	RED	BLK
LINE TO LINE INDUCTANCE	线电感	0.13 ±20% mH@1kHz	Wires for Hall UL1061 AWG26		
NOMINAL VOLTAGE	额定电压	48 VDC	HALL Vc	Hu	Hv
NO LOAD SPEED	空载转速	4000±10% RPM	Hw	HALL Gnd	NTC1
NO LOAD CURRENT	空载电流	1.1 A(REF)	RED	BLU	GRN
RATED TORQUE	额定转矩	2.0 N.m	WHT	BLK	NTC2
RATED SPEED	额定转速	3500 RPM	PERMISSIBLE RADIAL+AXIAL FORCE		
RATED CURRENT	额定电流	15A	AXIAL-FORCE	轴向压力	Fa=/ N Max
PEAK TORQUE	峰值转矩	6 N.m	DISTANCE	距离	a=/ mm
PEAK CURRENT	峰值电流	45A	RADIAL-FORCE	径向压力	Fr=/ N Max
BACK EMF CONSTANT	反电势常数	8.3±10% Vrms/kRPM	SHAFT RADIAL PLAY	径向间隙	/ mm Max.@4N
TORQUE CONSTANT	转矩常数	0.137 N.m/A	SHAFT AXIAL PLAY	轴向间隙	/ mm Max.@4N
INSULATION CLASS	绝缘等级	B 130°C	OPERATION AMBIENT 使用环境 Ambient temperature:-20...+50°C, humidity Max.85%(No condensation)		
DIELECTRIC STRENG	介电强度	1000VAC 1SEC	STORAGE AMBIENT 存储环境 Ambient temperature:-20...+80°C, humidity Max.85%(No condensation)		
INSULATION RESIST	绝缘电阻	100MΩm @500VDC			
ROTOR INERTIA	转子转动惯量	1460 g.cm <sup>2</sup>			
WEIGHT	重量	596.8g			

HALL Vc	Hu	Hv	Hw	HALL Gnd	NTC1	NTC2
RED	BLU	GRN	WHT	BLK	YEL	BRN

Preliminary

A		DESIGN	DATE	P/N.	
REV	ECN NO.	DESCRIPTION	ZLF	22/03/01	TITLE
UNLESS OTHERWISE SPECIFIED		MATERIAL	CONTR.	CHECK	USED ON
TOLERANCES:					FL85BL23-48V-3500730A
DECIMALS:					DWG NO.
.X ±0.5					REV
.XX ±0.25					A
.XXX ±0.1					
UNIT: mm		FIRST ANGLE PROJECTION		SCALE	1:1
DO NOT SCALE DRAWING				SHEET	1 OF 1
					FULLING MOTOR