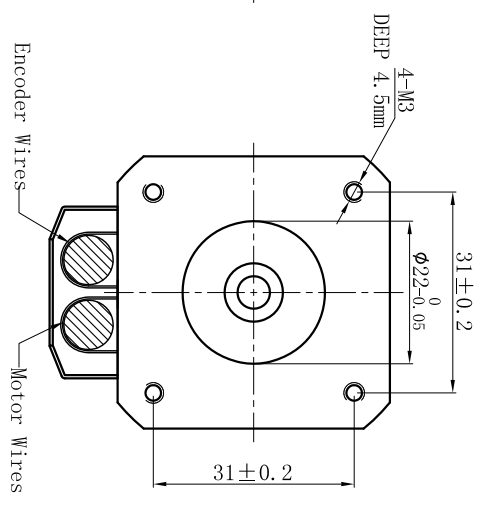
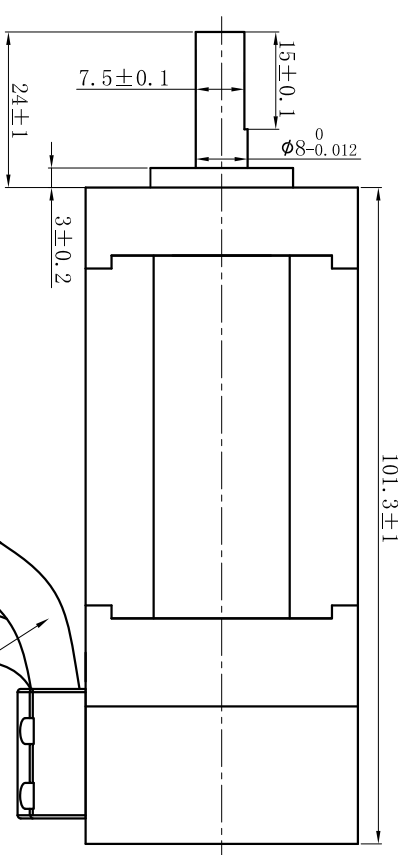
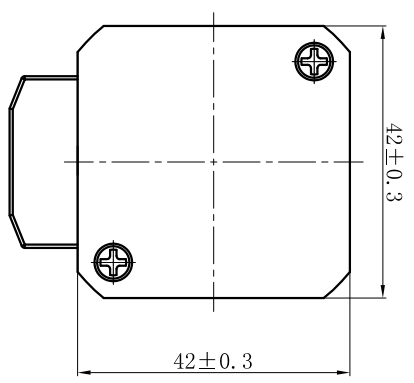
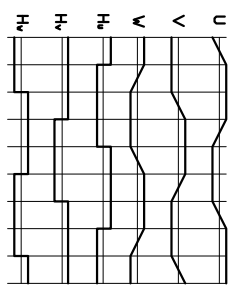


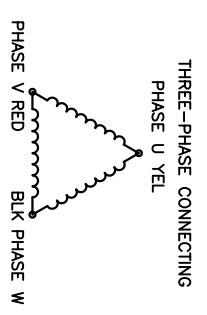
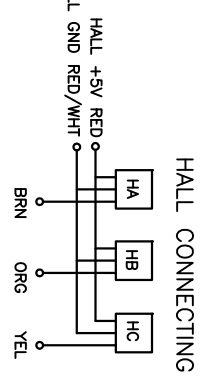
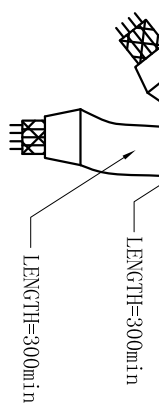
REV	EQ. NO.	DESCRIPTION	DRN	APPD	DATE



CCW COMMUTATION:
VIEWED FROM OUTPUT SHAFT



NUMBER OF PHASE	绕组相数	3	Wires for Phases AWG18							
NUMBER OF POLES	极数	8	PHASE U	PHASE V	PHASE W					
LINE TO LINE RESISTANCE	线阻	0.28±10% ohms@20°C	YEL	RED	BLK					
LINE TO LINE INDUCTANCE	线电感	0.51±20% mH@1kHz	Wires for encoder AWG26							
NOMINAL VOLTAGE	额定电压	24 VDC	GND	EA-	EA+	EB-	EB+	HB	HB	HC
NO LOAD SPEED	空载转速	7300±10% RPM	RED/WHI	RED	BLU/BLK	BLK	WHI	BRN	ORG	YEL
NO LOAD CURRENT	空载电流	<0.5 A	PERMISSIBLE RADIAL+AXIAL FORCE							
RATED TORQUE	额定转矩	0.185 N.m								
RATED SPEED	额定转速	5000±10% RPM	<p>AXIAL-FORCE 轴向压力 F_a=10 N Max</p> <p>DISTANCE 距离 α=10 mm</p> <p>RADIAL-FORCE 径向压力 F_r=28 N Max</p> <p>SHAFT RADIAL PLAY 径向间隙 0.02mm Max @4N</p> <p>SHAFT AXIAL PLAY 轴向间隙 0.14mm Max @4N</p>							
RATED CURRENT	额定电流	6 A	<p>OPERATION AMBIENT 使用环境 Ambient temperature:-20...+40° C, humidity Max. 85% (No condensation)</p> <p>WEIGHT 重量 0.65 Kg</p> <p>STORAGE AMBIENT 存储环境 Ambient temperature:-20...+60° C, humidity Max. 85% (No condensation)</p>							
PEAK TORQUE	峰值转矩	0.56 N.m								
PEAK CURRENT	峰值电流	18 A								
BACK EMF CONSTANT	反电势常数	2.32±10% Vrms/kRPM								
TORQUE CONSTANT	转矩常数	0.031 N.m/A								
INSULATION CLASS	绝缘等级	B 130°C								
DIELECTRIC STRENG	介电强度	600VAC 15PC								
INSULATION RESIST	绝缘电阻	100MΩmm @500VDC								
ROTOR INERTIA	转子转动惯量	72 g·cm ²								



REV	EQ. NO.	DESCRIPTION	DATE	P/N.

UNLESS OTHERWISE SPECIFIED	DESCRIPTION	CONTR	CHECK	DATE
TOLERANCES	MATERIAL			
ANGULAR:				
DECLIMALS:				
.x ±0.5				
.xx ±0.25				
.xxx ±0.1				
UNIT: mm				
DO NOT SCALE DRAWING				

DESIGN	DATE	P/N.	TITLE
			Specifications
			FL425VA03
			REV A

PULLING MOTOR