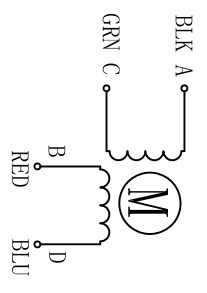


REV	ECN NO.	DESCRIPTION	DNN	APP'D.	DATE

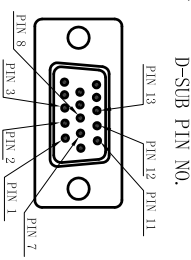
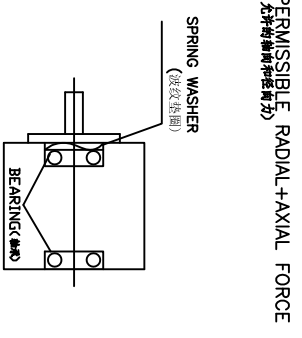
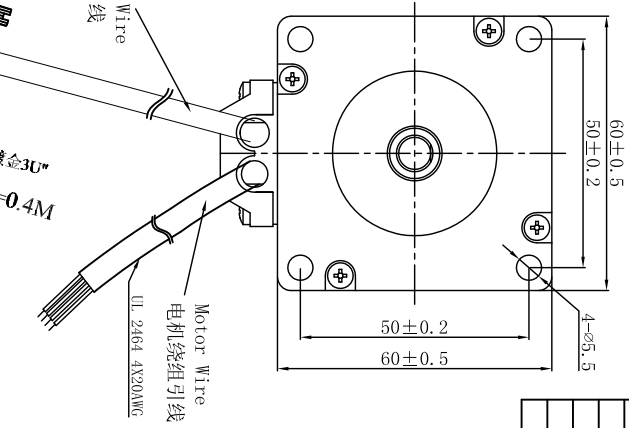
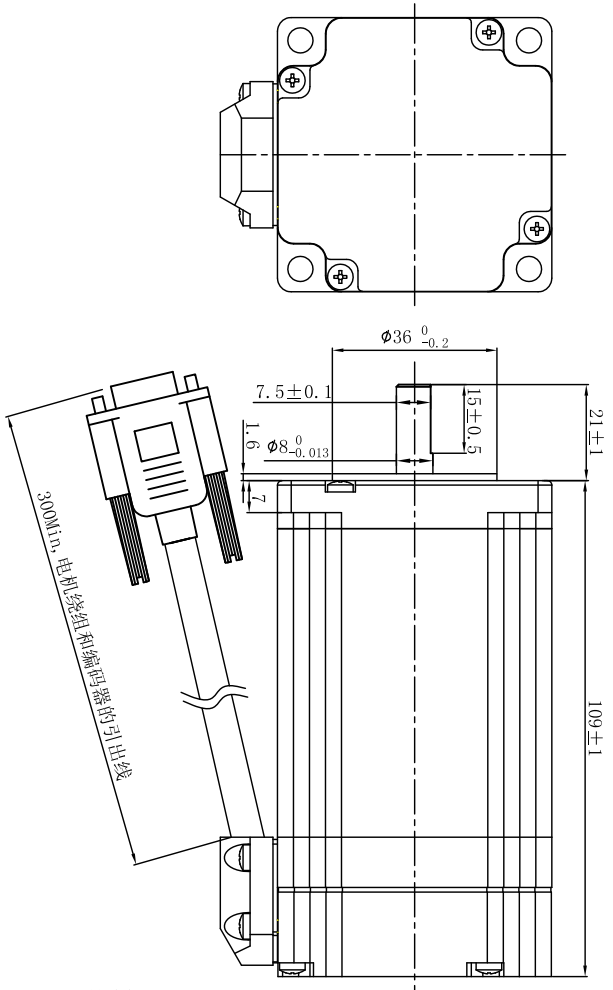
Wiring Diagram(接线图)



Exciting Sequence (励磁顺序)

CCW DIRECTION	STEP	A	C	B	D
↑	1	+		+	
	2		+		+
	3	+			+
	4		+		
	1	+			+

CCW, see from Flange side (逆时针, 从法兰侧看)



编码器: 1000CPR, 两通道带差分信号输出

PIN NO.	Color/颜色	Signal/信号
3	WHI/白	GND
2	RED/红	VCC(+5V)
13	BLU/蓝	EA-
1	BLK/黑	EA+
12	GRN/绿	EB-
11	YEL/黄	EB+

SPECIFICATION

STEP ANGLE	步距角	1.8°/full step(步距)
STEP ANGLE ACCURACY	步距角精度	±5%
NUMBER OF PHASE	绕组相数	2
RATED VOLTAGE	额定电压	2.52VDC
RATED CURRENT	额定电流	5.6A
RESISTANCE/PHASE	每相电阻	0.45±0.1 ohms@20°C
INDUCTANCE/PHASE	每相电感	2.1±20% mH@1kHz
HOLDING TORQUE	保持转矩	3.6N.m
PULL OUT TORQUE	运行转矩	N.m@ RPM
BACK EMF	反电势	V @ 300RPM
DETTENT TORQUE	定位转矩	N.cm
ROTOR INERTIA	转子转动惯量	870 g.cm ²
WEIGHT	重量	1.6kg
TEMPERATURE RISE	温升	Less than 80K (<#80形)
SOURCE VOLTAGE	驱动器电压	24-48 VDC
INSULATION CLASS	绝缘等级	B 150°C
DIELECTRIC STRENGTH	介电强度	500VAC 1MIN
INSULATION RESISTANCE	绝缘电阻	100MΩhm @500VDC
IP CODE	防护等级	IP30
OPERATION AMBIENT	使用环境	Ambient temperature:-20...+50°C,humidity Max. 85%(No condensation)
STORAGE AMBIENT	存储环境	Ambient temperature:-20...+85°C,humidity Max. 85%(No condensation)

REV	ECN NO.	DESCRIPTION	DNN	APP'D.	DATE
C					
UNLESS OTHERWISE SPECIFIED TOLERANCES: ANGULAR: ±0.5° ±0.25' ±0.1° ±0.1'					
DO NOT SCALE DRAWING					
FIRST ANGLE PROJECTION			DESIGN		
SHEET			SCALE		
OF			NTS		
PULLING MOTOR			P/N		
			TITLE		
			Specifications		
			USED ON		
			FL60SC40		
			DWG NO.		
			REV		
			C		