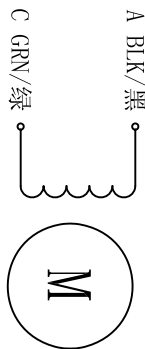
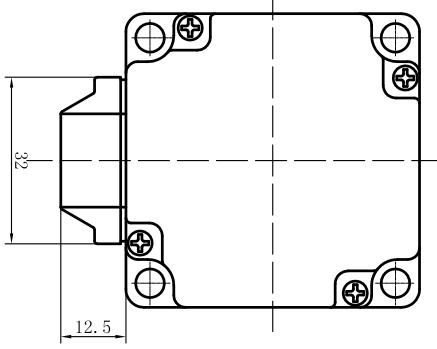
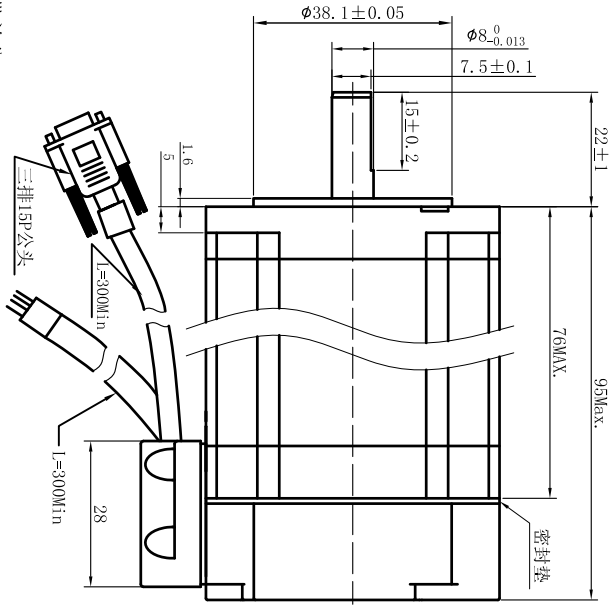
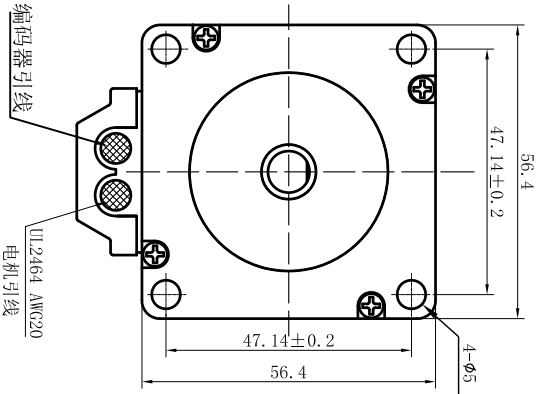


REV	ECN NO.	DESCRIPTION	DRN	APP'D	DATE

WIRING DIAGRAM/接线图



A BLK/黑
B RED/红 D BLU/蓝
C GRN/绿



Exciting Sequence (励磁顺序)

CW DIRECTION	STEP	A	C	B	D
↑	1	+		+	
	2		+		+
	3			+	+
	4	+			+

CW, see from flange side
(逆时针, 从法兰侧看)

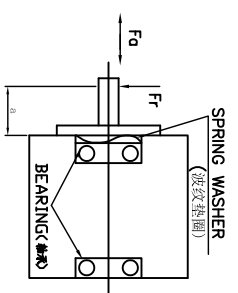
Lead Colour VS Encoder Signal
芯线颜色对应编码器信号

三排15公头	芯线颜色	信号定义
3	红/白	GND
2	红	VCC(+5V)
13	蓝	EA-
1	蓝/黑	EA+
12	黑	EB-
11	黑/白	EB+
	外壳	编织

SPECIFICATION

STEP ANGLE	步距角	1.8°/full step(步距)
STEP ANGLE ACCURACY	步距角精度	±5%
NUMBER OF PHASE	绕组相数	2
RATED VOLTAGE	额定电压	2.24 VDC
RATED CURRENT	额定电流	5.6 A
RESISTANCE/PHASE	每相电阻	0.4±0.1 ohms@20°C
INDUCTANCE/PHASE	每相电感	1.5±20% mH@1kHz
HOLDING TORQUE	保持转矩	2.2 N.m
PULL OUT TORQUE	运行转矩	N/A
BACK EMF	反电动势	V @300RPM
DETENT TORQUE	定位转矩	N.cm
ROTOR INERTIA	转子转动惯量	480 g.cm ²
WEIGHT	重量	1.5 Kg
TEMPERATURE RISE	温升	Less than 80K(ΔT@80%)
SOURCE VOLTAGE	驱动器电压	N/A
INSULATION CLASS	绝缘等级	B 130°C
DIELECTRIC STRENGTH	介电强度	500VAC 1MIN
INSULATION RESISTANCE	绝缘电阻	100MΩhm @500VDC
IP CODE	防护等级	30
OPERATION AMBIENT	使用环境	Ambient temperature:-20...+50°C,humidity Max. 85%(No condensation)
STORAGE AMBIENT	存储环境	Ambient temperature:-20...+85°C,humidity Max. 85%(No condensation)

PERMISSIBLE RADIAL+AXIAL FORCE
(允许轴向外力和轴向力)



UNLESS OTHERWISE SPECIFIED TOLERANCES:	ANGULAR:	FIRST ANGLE PROJECTION	DESIGN	DATE	P/N
.X ±0.5	±0°30'	FIRST ANGLE PROJECTION	CHECK		3.1.01.057.XXXX
.XX ±0.25			CONTR.	USED ON	Specifications
.XXX ±0.1			APPD	PL57SC22	REV
DO NOT SCALE DRAWING			SCALE	1:2	A
			SHEET	OF	FULLING MOTOR