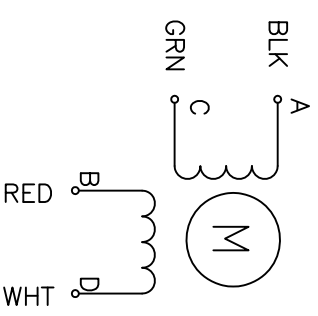


REV	ECN NO.	DESCRIPTION	DRN	APP'D	DATE

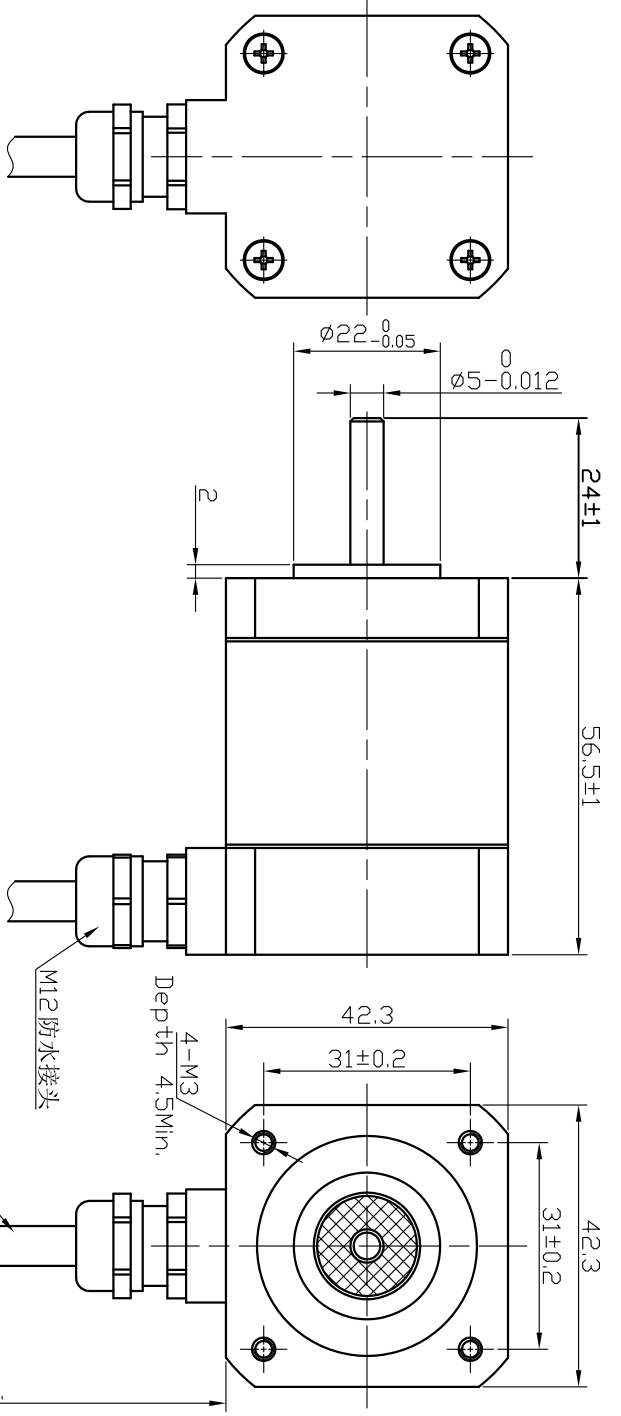
Wiring Diagram (接线图)



Exciting Sequence (励磁顺序)

CW DIRECTION	STEP	A	C	B	D
↑	1	+		+	
	2		+		+
	3			+	
	4		+		+

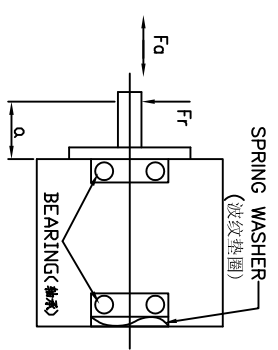
CW/see from flange side  
(顺时针, 从法兰侧看)



SPECIFICATION

STEP ANGLE	步距角	1.8°/full step(步距)
STEP ANGLE ACCURACY	步距角精度	±5%
NUMBER OF PHASE	绕组相数	2
RATED VOLTAGE	额定电压	2.8 V
RATED CURRENT	额定电流	1.68 A
RESISTANCE/PHASE	每相电阻	1.65±10% ohms@20°C
INDUCTANCE/PHASE	每相电感	2.8±20% mH@1kHz
HOLDING TORQUE	保持转矩	4400 g.cm
PULL OUT TORQUE	运行转矩	
BACK EMF	反电势	
DETENT TORQUE	定位转矩	
ROTOR INERTIA	转子转动惯量	68 g.cm <sup>2</sup>
WEIGHT	重量	400 g
TEMPERATURE RISE	温升	Less than 80K(ΔT@80%)
SOURCE VOLTAGE	驱动器电压	24 VDC
INSULATION CLASS	绝缘等级	B 130°C
DIELECTRIC STRENGTH	介电强度	500VAC 1MIN
INSULATION RESISTANCE	绝缘电阻	100MΩ @500VDC
IP CODE	防护等级	IP65 (除4-M3安装孔)
OPERATION AMBIENT	使用环境	Shaft axial play 轴向间隙 0.08mm Max. @4N
STORAGE AMBIENT	存储环境	Ambient temperature: -20...+85°C, humidity Max. 85% (No condensation)

PERMISSIBLE RADIAL+AXIAL FORCE  
(允许轴端径向和轴向力)



UNLESS OTHERWISE SPECIFIED TOLERANCES:	ANGULAR:	FIRST ANGLE PROJECTION	DESIGN	DATE	P/N
.X ±0.5	±0°30'				3.1101.042.***
.XX ±0.25			CHECK		Specifications
.XXX ±0.1			APPD		FL425TH47-1684A-IP65
UNIT: mm			SCALE	NTS	DWG NO.
DO NOT SCALE DRAWING			SHEET	OF	REV
					A

PULLING MOTOR