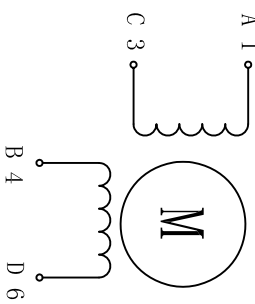


REV	ECN NO.	DESCRIPTION	DRN	APP'D	DATE

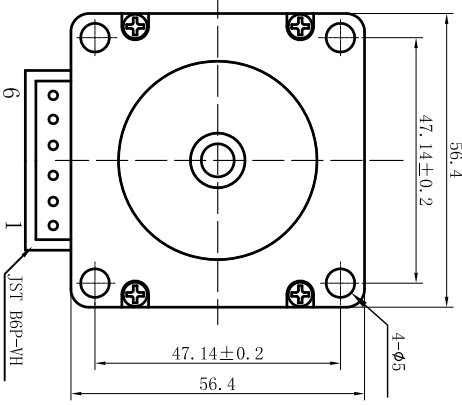
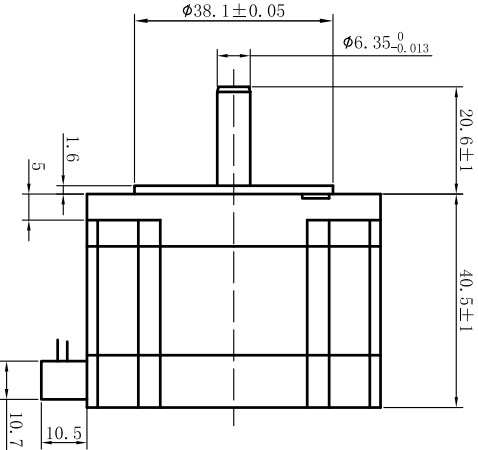
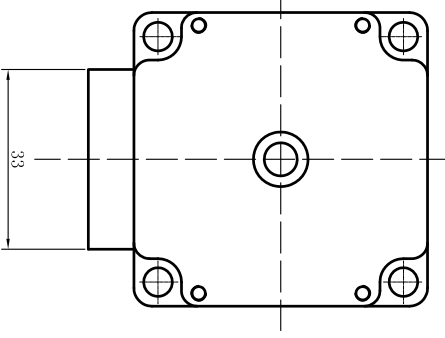
WIRING DIAGRAM/接线图



Exciting Sequence (励磁顺序)

CW DIRECTION	STEP	A	C	B	D
↑	1	+		+	
	2		+		+
	3			+	+
	4	+			+

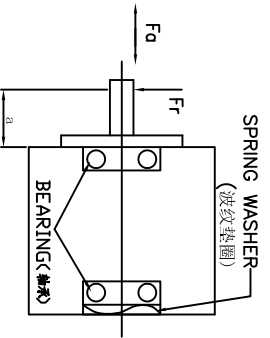
CW, see from Flange side  
(顺时针, 从法兰侧看)



SPECIFICATION

STEP ANGLE	步距角	1.8°/full step(步距)
STEP ANGLE ACCURACY	步距角精度	±5%
NUMBER OF PHASE	绕组相数	2
RATED VOLTAGE	额定电压	2.1 VDC
RATED CURRENT	额定电流	2.8A
RESISTANCE/PHASE	每相电阻	0.78±0.1 ohms@20°C
INDUCTANCE/PHASE	每相电感	1.8±20% mH@1kHz
HOLDING TORQUE	保持转矩	0.6 N.m
PULL OUT TORQUE	运行转矩	N/A
BACK EMF	反电势	V @300RPM
DETENT TORQUE	定位转矩	N.cm
ROTOR INERTIA	转子转动惯量	120 g.cm <sup>2</sup>
WEIGHT	重量	0.45 kg
TEMPERATURE RISE	温升	Less than 80K(ΔT80K)
SOURCE VOLTAGE	驱动器电压	N/A
INSULATION CLASS	绝缘等级	B 130°C
DIELECTRIC STRENGTH	介电强度	500VAC 1MIN
INSULATION RESISTANCE	绝缘电阻	100MΩhm @500VDC
IP CODE	防护等级	N/A
OPERATION AMBIENT	使用环境	Ambient temperature:-20...+50°C,humidity Max. 85%(No condensation)
STORAGE AMBIENT	存储环境	Ambient temperature:-20...+85°C,humidity Max. 85%(No condensation)

PERMISSIBLE RADIAL+AXIAL FORCE  
(允许轴向外力和轴向力)



AXIAL-FORCE 轴向压力 Fo=15 N Max.

DISTANCE 距离 q=20 mm

RADIAL-FORCE 径向压力 Fr=75 N Max.

REV	ECN NO.	DESCRIPTION	DRN	APP'D	DATE	DESIGN	DATE	P/N
								3.1.01.057.XXXX
UNLESS OTHERWISE SPECIFIED		MATERIAL	CONTR.		CHECK	TITLE Specifications		
TOLERANCES						USED ON FLS7STC41-2804AC		
DECIMALS:						DWG NO.		
.x	±0.5					REV A		
.xx	±0.25							
.xxx	±0.1							
UNIT: mm		FIRST ANGLE PROJECTION			SCALE	PULLING MOTOR		
DO NOT SCALE DRAWING					SHEET			