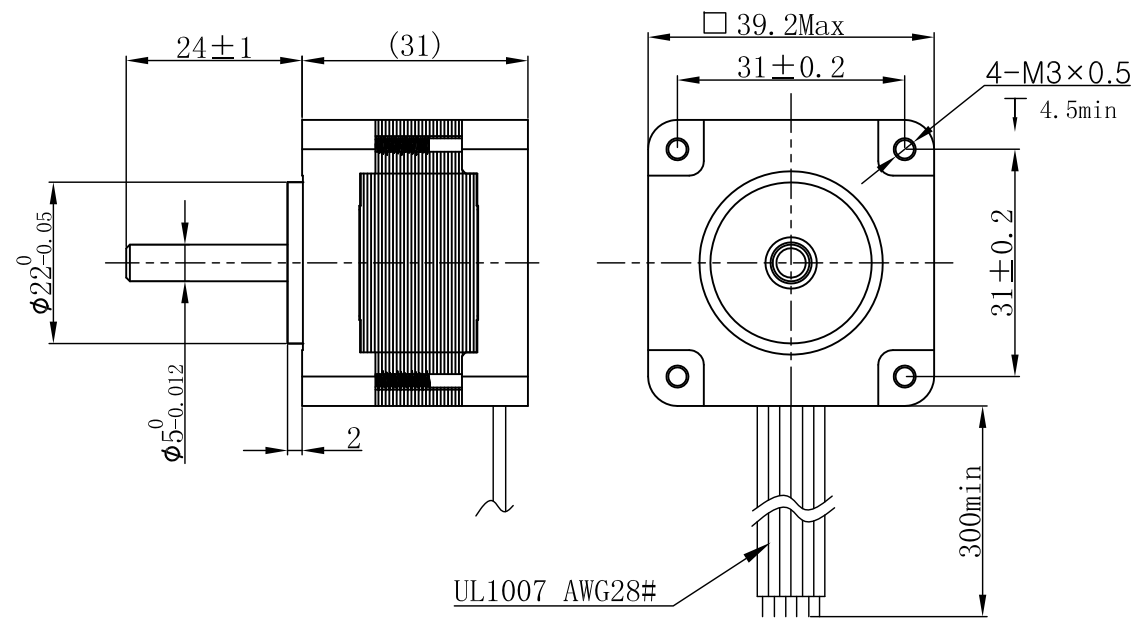
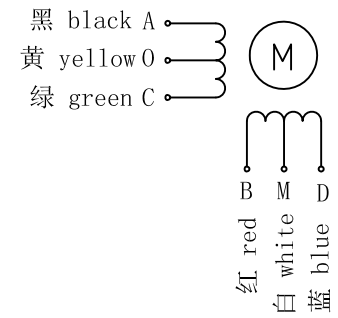


REV	ECN NO.	DESCRIPTION	DRN	APP'D	DATE



Wiring Diagram(接线图)



Exciting Sequence(励磁顺序)

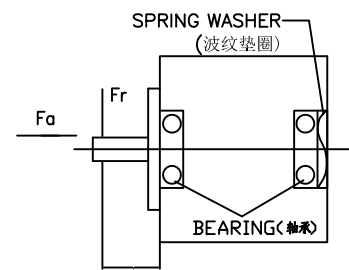
CW DIRECTION	STEP	A	B	C	D	0	M
↓	1	+	+	-	-	+	+
	2	-	+	+	-	+	+
	3	-	-	+	+	+	+
	4	+	-	-	+	+	+
	1	+	+	-	-	+	+

CW, see from flange side
(顺时针, 从法兰侧看)

SPECIFICATION

STEP ANGLE	步距角	1.8°/full step (整步)
STEP ANGLE ACCURACY	步距角精度	±5%
NUMBER OF PHASE	绕组相数	4
RATED VOLTAGE	额定电压	12.0 VDC
RATED CURRENT	额定电流	0.3 A
RESISTANCE/PHASE	每相电阻	40.0±10% ohms@20°C
INDUCTANCE/PHASE	每相电感	25.0±20% mH@1kHz
HOLDING TORQUE	保持转矩	13.0 N.cm
PULL OUT TORQUE	运行转矩	N.cm@ RPM
BACK EMF	反电动势	V @300RPM
DETENT TORQUE	定位转矩	N.cm
ROTOR INERTIA	转子转动惯量	30.0 g.cm ²
WEIGHT	重量	0.18Kg
TEMPERATURE RISE	温升	Less than 80K (≠80开)
SOURCE VOLTAGE	驱动器电压	24 VDC
INSULATION CLASS	绝缘等级	B 130°C
DIELECTRIC STRENGTH	介电强度	500VAC 1MIN
INSULATION RESISTANCE	绝缘电阻	100MΩ @500VDC
IP CODE	防护等级	IP30
OPERATION AMBIENT	使用环境	Ambient temperature: -20...+50°C, humidity Max. 85%(No condensation)
STORAGE AMBIENT	存储环境	Ambient temperature: -20...+85°C, humidity Max. 85%(No condensation)

PERMISSIBLE RADIAL+AXIAL FORCE
(允许的轴向和径向力)



AXIAL-FORCE 轴向压力	Fa=10 N Max.
DISTANCE 距离	a=10 mm
RADIAL-FORCE 径向压力	Fr=28 N Max.
SHAFT RADIAL PLAY 径向间隙	0.02mm Max. @4N
SHAFT AXIAL PLAY 轴向间隙	0.08mm Max. @4N

DESIGN	DATE	P.N.	3. 1. 01. 039. 0122
TITLE	Specifications		
USED ON	FL39STH34-0306A		
DWG NO.		REV	
UNLESS OTHERWISE SPECIFIED TOLERANCES	MATERIAL	CONTR.	CHECK
DECIMALS: .x ±0.5 .xx ±0.25 .xxx ±0.1			
ANGULAR: ±0°30'			
UNIT: mm	FIRST ANGLE PROJECTION	SCALE	NTS
DO NOT SCALE DRAWING		SHEET	OF
		FULLING MOTOR	