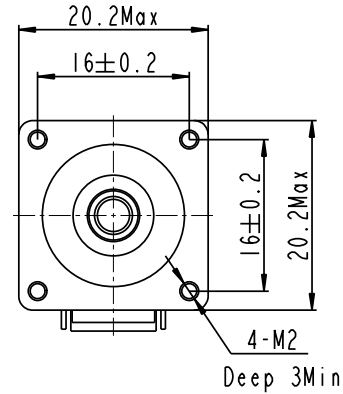
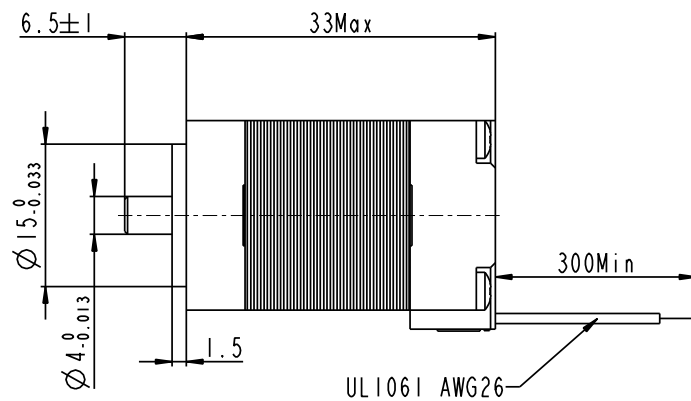
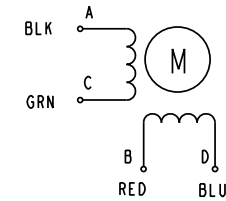


REV	ECN	NO	DESCRIPTION	DRN	APP'D	DATE



Wiring Diagram (接线图)



Exciting Sequence (励磁顺序)

CW DIRECTION	STEP	A	C	B	D
↓	1	+		+	
	2		+	+	
	3		+		+
	4	+			+
	1	+		+	

CW see from the flange side (顺时针 从法兰侧看)

STEP ANGLE	步距角	1.8°/full step(整步)	PERMISSIBLE RADIAL+AXIAL FORCE (允许轴向和径向力)				
STEP ANGLE ACCURACY	步距角精度	±5%					
NUMBER OF PHASE	绕组相数	2					
RATED VOLTAGE	额定电压	3.9 VDC					
RATED CURRENT	额定电流	0.6 A					
RESISTANCE/PHASE	每相电阻	6.5±10% OHMS@20°C					
INDUCTANCE/PHASE	每相电感	1.9±20% mH@1kHz					
HOLDING TORQUE	保持转矩	180 g.cm					
PULL OUT TORQUE	运行转矩	/					
BACK EMF	反电动势	/					
DETTENT TORQUE	定位转矩	/					
ROTOR INERTIA	转子转动惯量	2.0 g.cm²					
WEIGHT	重量	60 g					
TEMPERATURE RISE	温升	less than 80K(≠780#)			AXIAL-FORCE	轴向压力	Fa:4N Max
SOURCE VOLTAGE	驱动器电压	24 VDC			DISTANCE	距离	a:5mm
INSULATION CLASS	绝缘等级	B 130°C			RADIAL-FORCE	径向压力	Fr:20N Max
DIELECTRIC STRENG	介电强度	500VAC 1MIN			SHAFT RADIAL PLAY	径向间隙	0.02mm Max.Ø4N
INSULATION RESIST	绝缘电阻	100MΩ @500VDC	SHAFT AXIAL PLAY	轴向间隙	0.08mm Max.Ø4N		
IP CODE	防护等级	IP30	OPERATION AMBIENT		使用环境	Ambient temperature:-10...+50°C,humidity Max.85%(No condensation)	
STORAGE AMBIENT		存储环境	Ambient temperature:-20...+55°C,humidity Max.85%(No condensation)				

B	180323M01	首轴零件图更改	DESIGN	DATE	P/W.	3.1.01.020.0007
REV	ECN NO.	DESCRIPTION	CHECK		TITLE	Specifications
UNLESS OTHERWISE SPECIFIED TOLERANCES:		MATERIAL	CONTR.		USED ON	FL20STH33-0604A
DECIMALS: .X ±0.5 .XX ±0.25 .XXX ±0.1		ANGULAR: ±0°30'	APPD		DWG NO.	REV B
UNIT: mm DO NOT SCALE DRAWING		FIRST ANGLE PROJECTION	SCALE	2:1	FULLING MOTOR	
			SHEET	1 OF 1		