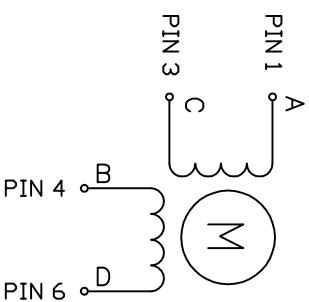


REV	ECN NO.	DESCRIPTION	DRN	APP'D	DATE

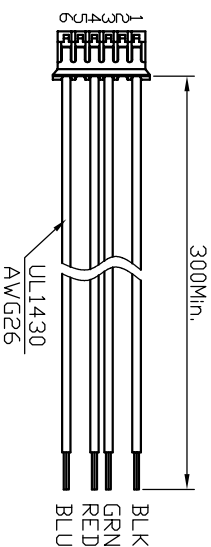
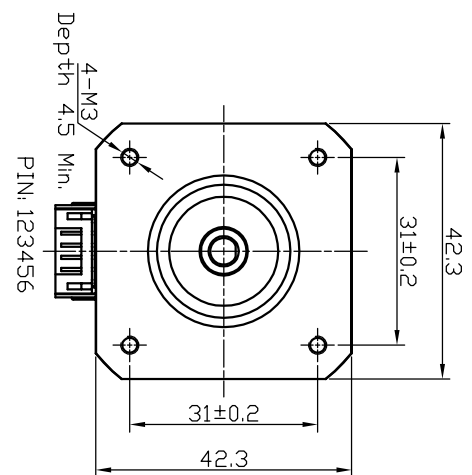
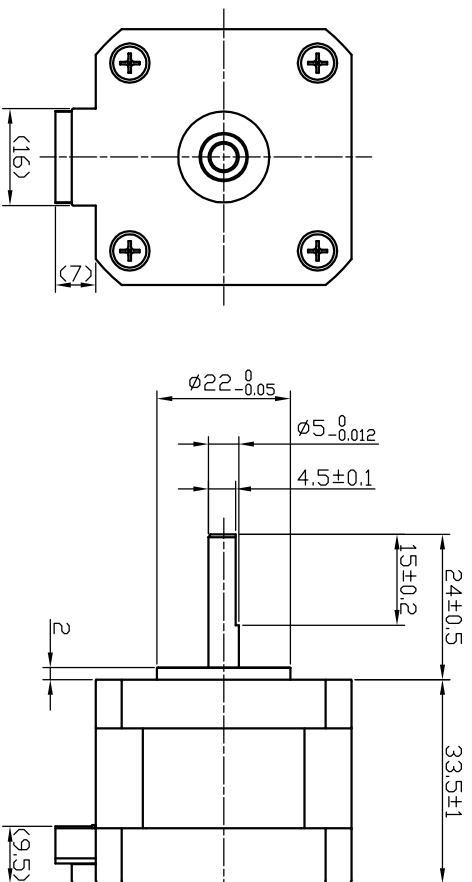
Wiring Diagram(接线图)



Exciting Sequence(励磁顺序)

CW DIRECTION	STEP	A	C	B	D
↑	1	+		+	
	2		+		+
	3			+	+
	4	+			+

CW/see from flange side  
(顺时针, 从法兰侧看)



SPECIFICATION

STEP ANGLE	步距角	1.8°/full step(步距)	PERMISSIBLE RADIAL+AXIAL FORCE (允许轴向外力和轴向力)
STEP ANGLE ACCURACY	步距角精度	±5%	SPRING WASHER (波状垫圈)
NUMBER OF PHASE	绕组相数	2	BEARING(轴承)
RATED VOLTAGE	额定电压	2.8 VDC	AXIAL-FORCE 轴向压力
RATED CURRENT	额定电流	1.35 A	DISTANCE 距离
RESISTANCE/PHASE	每相电阻	2.1±10% ohms@20°C	RADIAL-FORCE 径向压力
INDUCTANCE/PHASE	每相电感	2.5±20% mH@1kHz	FR=28 N Max.
HOLDING TORQUE	保持转矩	2200 g.cm	AXIAL-FORCE 轴向压力
PULL OUT TORQUE	运行转矩		
BACK EMF	反电动势		
DETENT TORQUE	定位转矩		
ROTOR INERTIA	转子转动惯量	54 g.cm <sup>2</sup>	
WEIGHT	重量	280 g	
TEMPERATURE RISE	温升	Less than 80K(ΔT@90%)	
SOURCE VOLTAGE	驱动器电压	24 VDC	
INSULATION CLASS	绝缘等级	B 130°C	
DIELECTRIC STRENGTH	介电强度	500VAC 1MIN	
INSULATION RESISTANCE	绝缘电阻	100MΩhm @500VDC	
IP CODE	防护等级	IP30	
OPERATION AMBIENT	使用环境	Ambient temperature:-20...+50°C, humidity Max. 85%(No condensation)	
STORAGE AMBIENT	存储环境	Ambient temperature:-20...+85°C, humidity Max. 85%(No condensation)	

Preliminary

UNLESS OTHERWISE SPECIFIED	MATERIAL	CONTR.	CHECK	DESIGN	DATE	P/N
TOLERANCES: DECIMALS: ±0.5 ANGULAR: ±0.25 ±0.1			Y/L	210923	3.1.01.042.***	
FIRST ANGLE PROJECTION						
SCALE						
SHEET						
NTS						
OF						
PULLING MOTOR						